

## *RuggedNet*<sup>®</sup> GPoE+/Si

### Unmanaged 6 and 10 Port PoE/PoE+ Gigabit Ethernet Switch



## User Manual

### General and Copyright Notice

This publication is protected by U.S. and international copyright laws. All rights reserved. The whole or any part of this publication may not be reproduced, stored in a retrieval system, translated, transcribed, or transmitted, in any form, or by any means, manual, electric, electronic, electromagnetic, mechanical, chemical, optical or otherwise, without prior explicit written permission of Omnitron Systems Technology, Inc.

The following trademarks are owned by Omnitron Systems Technology, Inc.: FlexPoint<sup>™</sup>, FlexSwitch<sup>™</sup>, iConverter<sup>®</sup>, miConverter<sup>™</sup>, NetOutlook<sup>®</sup>, OmniLight<sup>®</sup>, OmniConverter<sup>®</sup>, RuggedNet<sup>®</sup>, Omnitron Systems Technology, Inc.<sup>™</sup>, OST<sup>™</sup> and the Omnitron logo.

All other company or product names may be trademarks of their respective owners.

The information contained in this publication is subject to change without notice. Omnitron Systems Technology, Inc. is not responsible for any inadvertent errors.

### Warranty

This product is warranted to the original purchaser (Buyer) against defects in material and workmanship for a period of two (2) years from the date of shipment. A five (5) year warranty may be obtained by the original purchaser by registering this product at [www.omnitron-systems.com/support](http://www.omnitron-systems.com/support) within ninety (90) days from the date of shipment. During the warranty period, Omnitron will, at its option, repair or replace a product which is proven to be defective with the same product or with a product with at least the same functionality.

For warranty service, the product must be sent to an Omnitron designated facility, at Buyer's expense. Omnitron will pay the shipping charge to return the product to Buyer's designated US address using Omnitron's standard shipping method.

### Limitation of Warranty

The foregoing warranty shall not apply to product malfunctions resulting from improper or inadequate use and/or maintenance of the equipment by Buyer, Buyer-supplied equipment, Buyer-supplied interfacing, unauthorized modifications or tampering with equipment (including removal of equipment cover by personnel not specifically authorized and certified by Omnitron), or misuse, or operating outside the environmental specification of the product (including but not limited to voltage, ambient temperature, radiation, unusual dust, etc.), or improper site preparation or maintenance.

No other warranty is expressed or implied. Omnitron specifically disclaims the implied warranties of merchantability and fitness for any particular purpose.

The remedies provided herein are the Buyer's sole and exclusive remedies. Omnitron shall not be liable for any direct, indirect, special, incidental, or consequential damages, whether based on contract, tort, or any legal theory.

## Environmental Notices

The equipment covered by this manual must be disposed of or recycled in accordance with the Waste Electrical and Electronic Equipment Directive (WEEE Directive) of the European Community directive 2012/19/EU on waste electrical and electronic equipment (WEEE) which, together with the RoHS Directive 2015/863/EU, for electrical and electronic equipment sold in the EU after July 2019. Such disposal must follow national legislation for IT and Telecommunication equipment in accordance with the WEEE directive: (a) Do not dispose waste equipment with unsorted municipal and household waste. (b) Collect equipment waste separately. (c) Return equipment using collection method agreed with Omnitron.



The equipment is marked with the WEEE symbol shown to indicate that it must be collected separately from other types of waste. In case of small items the symbol may be printed only on the packaging or in the user manual. If you have questions regarding the correct disposal of equipment go to [www.omnitron-systems.com/support](http://www.omnitron-systems.com/support) or e-mail to Omnitron at [intlinfo@omnitron-systems.com](mailto:intlinfo@omnitron-systems.com).

## Safety Warnings and Cautions



**ATTENTION:** Observe precautions for handling electrostatic discharge sensitive devices.



**WARNING:** Potential damage to equipment and personal injury.



**WARNING:** Risk of electrical shock.



**WARNING:** Hot surface.

# RuggedNet® GPoE+/Si User Manual

## Product Overview

The RuggedNet GPoE+/Si is a ruggedized unmanaged PoE and PoE+ industrial Ethernet switch that features fiber or copper uplink ports and four or eight 10/100/1000 RJ-45 copper Power Sourcing Power-over-Ethernet user ports.

The GPoE+/Si functions can be configured using easily accessible DIP-switches.



*RuggedNet GPoE+/Si 6 and 10 Ports*

The GPoE+/Si is a Power Sourcing Equipment (PSE) that provides up to 30W PoE+ (IEEE 802.3at) per user port and supports frame sizes up to 10,240 bytes.

## Front Panel

The front of the module provides access to the RJ-45 PoE and uplink ports.

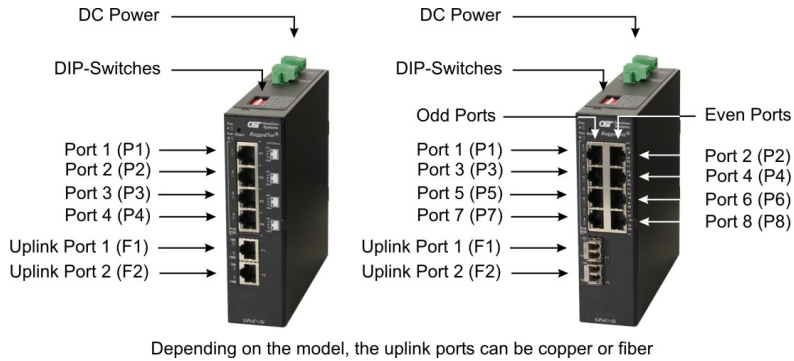
## RJ-45 PoE, Uplinks and Fixed-Fiber Ports

The RJ-45 PoE Ethernet user port supports 10BASE-T, 100BASE-TX and 1000BASE-T protocols, auto-negotiation and auto MDI/MDI-X crossover.

The module is available with one or two gigabit SFP transceiver uplink ports or two 10/100/1000BASE-T RJ-45 copper uplink ports or two LC fixed gigabit fiber uplink ports.

The SFP ports support SERDES 1000BASE-X fiber transceivers (multimode, single-mode and single-mode single-fiber) and SGMII 10/100/1000BASE-T copper transceivers. The SFP interfaces operate in auto-negotiation and support full duplex operation.

Fixed-fiber 1000BASE-X connectors are available with multimode (MM) dual fiber, single-mode (SM) dual fiber and single-mode single-fiber (SF) options. Dual fiber options are available with ST, SC and LC connectors. Single-fiber options are available with SC connectors.



Depending on the model, the uplink ports can be copper or fiber

Front Panel Layout

### Reset Button

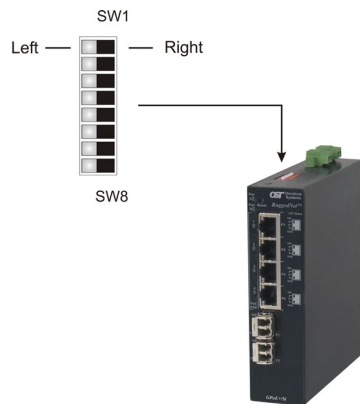
A Reset Button is available on the front of the switch to restore the switch to factory default values and clear buffers and memory. Press and hold the reset button for more than 5 seconds to restore the switch to factory default values.

### Installation Procedure

- 1) Configure DIP-switches
- 2) Installing the Module
- 3) Apply DC Power
- 4) Connect Cables
- 5) Verify Operation

### 1) Configure DIP-switches

The DIP-switches are located on the top of the module. The DIP-switches are used to configure modes of operation, networking features and PoE reset.



DIP-switch Bank Locations

The table below provides a description of each DIP-switch position and function.

Switch	1 Uplink Port	2 Uplink Ports
SW1	Mode of Operation	
SW2		
SW3	Reserved	Uplink Redundancy
SW4		
SW5	MAC Learning	
SW6	Pause	
SW7	L2CP	
SW8	PoE Reset	

DIP-switch Definitions

### SW1 and SW2: Mode of Operation

The modules support Switch, Directed Switch and Dual Device modes.

The modes are described with MAC learning enabled. When MAC learning is disabled, unicast packets are forwarded to all ports.

SW1	SW2	1 Uplink Port	2 Uplink Ports
Function			
LEFT	LEFT	Switch Mode (factory default)	
LEFT	RIGHT	Directed Switch Mode (AKA Camera Mode)	
RIGHT	LEFT	Reserved	Dual Device Mode - Switch Mode
RIGHT	RIGHT	Reserved	Dual Device Mode - Directed Switch Mode

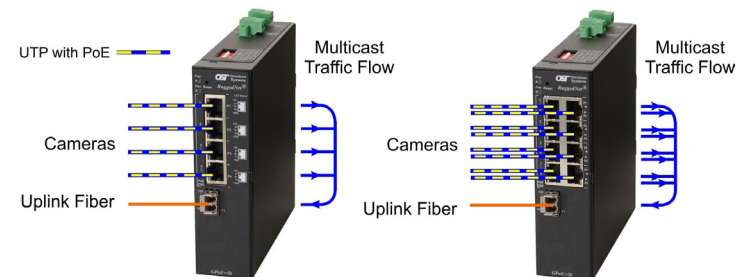
Modes of Operation

### Switch Mode

When configured for Switch Mode (factory default), the module operates as a standard layer 2 switch. Data flow will follow MAC address mapping.

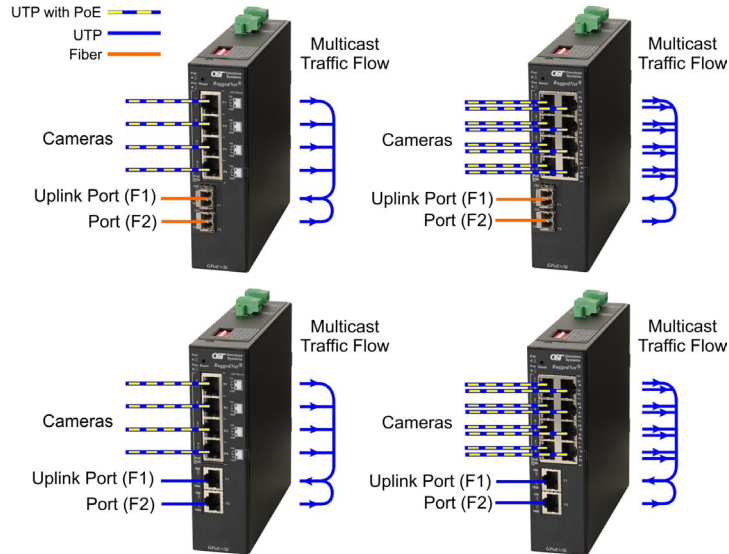
### Directed Switch Mode (AKA Camera Mode)

When configured for Directed Switch Mode, traffic from all the PoE RJ-45 user ports is only forwarded to the uplink port F1, preventing the broadcast traffic from flooding other network ports. Incoming traffic from F1 follows MAC address mapping.



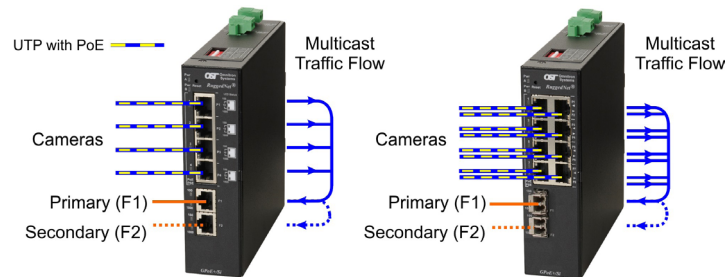
Directed Switch Mode Single Uplink Port

For models with two uplink ports (copper or fiber), the data traffic on the additional uplink port (F2) is also forwarded to port F1.



*Directed Switch Mode Dual Uplink Port*

When models with two uplink ports are configured for Directed Switch Mode and Uplink Redundancy (per DIP-switches 3 and 4), traffic is forwarded to both the primary and secondary uplink ports. The secondary port will block all traffic while the primary port is active. When the primary port goes down, the secondary port will be active and all traffic will be forwarded out the secondary port (F2).

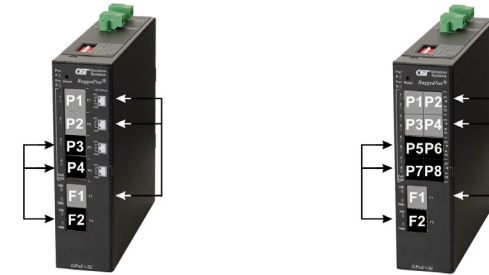


*Directed Switch Mode with Uplink Redundancy*

## Dual Device Mode

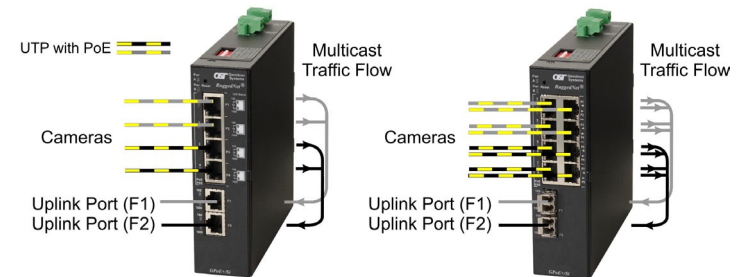
Dual Device Mode is only supported on models with two uplink ports.

When configured for Dual Device Mode, the module is configured as two logically independent Layer 2 switches. On models with 4 RJ-45 user ports, Port F1 is associated with ports P1 and P2 and Port F2 is associated with ports P3 and P4. On models with 8 RJ-45 user ports, Port F1 is associated with ports P1 - P4 and Port F2 is associated with ports P5 - P8. Data flow will follow MAC address mapping.



*Dual Device Mode*

When models with 4 RJ-45 user ports are configured for Dual Device Mode and Directed Switch Mode, the traffic from ports P1 and P2 is only forwarded to uplink port F1 and ports P3 and P4 are only forwarded to uplink port F2. When models with 8 RJ-45 user ports are configured for Dual Device Mode and Directed Switch Mode, the traffic from ports P1 - P4 is only forwarded to uplink port F1 and ports P5 - P8 are only forwarded to uplink port F2. This prevents broadcast traffic from flooding other network ports. Incoming traffic from F1 and F2 follows MAC address mapping.



*Dual Device with Directed Switch Mode*

## SW3 and SW4: Uplink Redundancy

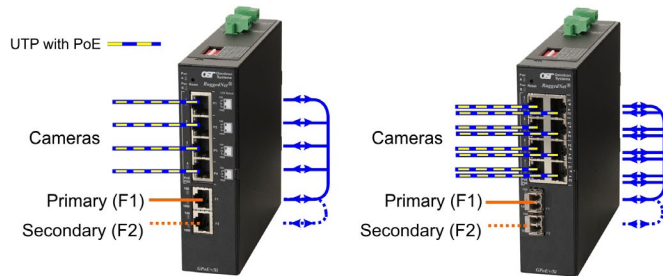
Uplink redundancy mode is only supported on models with two uplink ports.

The modes are described with MAC learning enabled. When MAC learning is disabled, the module will send data to all ports.

SW3	SW4	1 Uplink Port	2 Uplink Ports
		Function	
LEFT	LEFT	Reserved	Switch Mode (factory default)
LEFT	RIGHT	Reserved	Switch Mode (factory default)
RIGHT	LEFT	Reserved	Uplink Redundancy Mode - no return to primary (F1)
RIGHT	RIGHT	Reserved	Uplink Redundancy Mode - return to primary (F1)

### *Uplink Redundancy*

When configured for Uplink Redundant Mode “no return to primary”, the uplink ports operate as redundant links. A fault on the primary Port F1, will cause a fail over to the secondary Port F2 within 50msec. Port F1 will become the secondary port once the failure condition has been restored because “no return to primary” has been selected.



### *Redundant Uplink*

When configured for Uplink Redundant Mode “return to primary”, a fault on the primary Port F1, will cause a fail over to the secondary Port F2 within 50msec. The module will return to the primary Port F1 after the failure condition has been restored for 6 seconds.

## SW5: MAC Learning - “MAC Learning/Off”

When this DIP-switch is in the LEFT “MAC Learning” position (factory default), all ports on the module will learn the source MAC address of each received packet and store the address so packets destined for the stored addresses can be forwarded to the appropriate port on the module. When the DIP-switch is in the RIGHT “Off” position, learning is turned off and all received unicast packets are forwarded to all ports.

## SW6: Pause - “Pause Off/On”

Setting the DIP-switch to the LEFT “Pause Off” position (factory default) configures the module to advertise no Pause capability on all ports. Setting this DIP-switch to the RIGHT “On” position configures the module to advertise Symmetrical and Asymmetrical Pause capability to all ports.

## SW7: L2CP - “L2CP Tunnel/Discard”

When this DIP-switch is in the LEFT “L2CP Tunnel” position (factory default), all L2CP frames will be tunneled through the module. When this DIP-switch is in the RIGHT “Discard” position, all L2CP frames will be discarded with the exception of the frames listed below.

Multicast Destination Address	Name	SW7 L2CP LEFT / RIGHT
01-80-C2-00-00-00	Bridge Group Address	Tunnel
01-80-C2-00-00-01	IEEE Std 802.3 Full Duplex PAUSE	Based on PAUSE
01-80-C2-00-00-0B	Reserved for future standardization	Tunnel
01-80-C2-00-00-0C	Reserved for future standardization	Tunnel
01-80-C2-00-00-0D	Provider Bridge GVRP Address	Tunnel
01-80-C2-00-00-0F	Reserved for future standardization	Tunnel
01-80-C2-00-00-10	All Bridges	Tunnel
01-80-C2-00-00-2X	GARP	Tunnel
01-80-C2-00-00-3X	802.1ag CFM	Tunnel

If SW6 is in the LEFT “Pause Off” position, all PAUSE frames are TUNNELED. If SW6 is in the RIGHT “On” position, the module is participating in the PAUSE function.

## SW8: PSE Reset - “Off/PoE Reset”

The module can be configured to disable (reset) the PoE output power for 5 seconds after a loss of receive link on any uplink port. This feature is typically used to allow a PD to re-initialize after a failure on the incoming uplink.

When this DIP-switch is in the LEFT “Off” position (factory default), PoE output power does not reset on a loss of receive link on any uplink port. When this DIP-switch is in the RIGHT “PoE Reset” position, the module will disable PoE output power for 5 seconds following a loss of receive link on any uplink port.

When uplink redundancy is enabled, the loss of link on either F1 or F2 will not cause the PD to be re-initialized even though the PSE Reset is enabled. The PD will be re-initialized on a loss of receive link on both uplink ports.

When Dual Device Mode is enabled, the loss of receive link on a uplink port will re-initialize the PDs associated with that uplink port. On models with 4 RJ-45 user ports, ports P1 and P2 will drop PoE power when a loss of receive link on F1 is detected and ports P3 and P4 will drop PoE power when a loss of receive link on F2 is detected. On models with 8 RJ-45 user ports, P1 - P4 will drop PoE power when a loss of receive link on F1 is detected and ports P5 - P8 will drop PoE power when a loss of receive link on F2 is detected.

## 2) Installing the Module

The module can be wall or rack mounted using the optional Wall Mount Plate (8260-3). Refer to the Wall Mount Plate user manual (040-08260-301x) for the proper installation guidelines.

### Wall Mounting

The wall mounting height of the module should be less than or equal to 2 meters (6.6 feet) from the floor. Use the four mounting holes on the module to secure the module to the wall. The module can accommodate #6 screws (not included).

Installation of the module should be such that the air flow in the front, back, side and top vents of the switch are not compromised or restricted.

The accessory cables should have their own strain relief and do not pull down on the module.

### Rack Mounting

The module can be rack mounted using the optional Rack Mount Shelf (8260-0). Refer to the Rack Mount Shelf user manual (040-08260-001x) for the proper installation guidelines.

Follow the same guidelines above when rack mounting the module.

## 3) Apply DC Power

This module is intended for installation in restricted access areas. (“Les matériels sont destinés à être installés dans des EMBLEMES À ACCÈS RESTREINT”). A restricted access area can be accessed only through the use of a special key, or other means of security.

The over current protection for connection with centralized DC shall be provided in the building installation, and shall be a UL listed circuit breaker rated 20 Amps, and installed per the National Electrical Code, ANSI/NFPA-70.

The 6 Port GPoE+/Si requires +46 to +57VDC inclusive of tolerance (2.31A @ 56VDC max rated power). The 10 Port GPoE+/Si requires +46 to +57VDC inclusive of tolerance (4.47A @ 56VDC max rated power). See specification table for specific model requirements.

Appropriate overloading protection should be provided on the DC power source outlets utilized.



Top View with DC Power Connector

**WARNING:** Only a DC power source that complies with safety extra low voltage (SELV) requirements can be connected to the DC-input power supply.

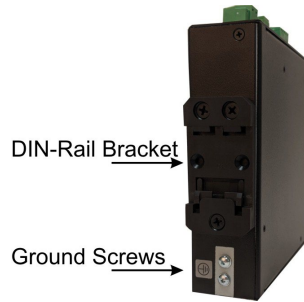
**WARNING REGARDING EARTHING GROUND:**

- This equipment shall be connected to the DC supply system earthing electrode conductor or to a bonding jumper from an earthing terminal bar or bus to which the DC supply system earthing electrode is connected.
- This equipment shall be located in the same immediate area (such as adjacent cabinets) as any other equipment that has a connection between the earthed conductor of the same DC supply circuit and the earthing conductor, and also the point of earthing of the DC system. The DC system shall not be earthed elsewhere.
- The DC supply source is to be located within the same premises as this equipment.
- There shall be no switching or disconnecting devices in the earthed circuit conductor between the DC source and the earthing electrode conductor.

Locate the DC circuit breaker of the external power source, and switch the circuit breaker to the OFF position.

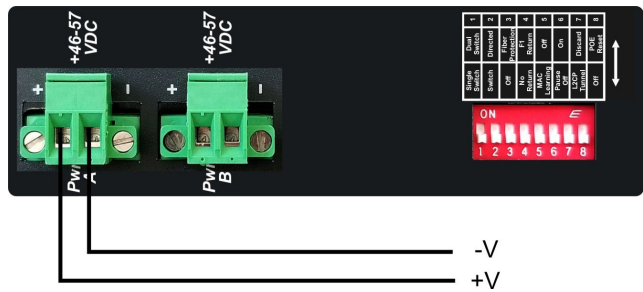
Prepare a power cable using a three conductor insulated wire (not supplied) with 12AWG to 14AWG thickness. Cut the power cable to the length required.

Strip approximately 3/8 of an inch of insulation from the power cable wires.  
Connect the ground wire to the grounding screws on the back of the module.

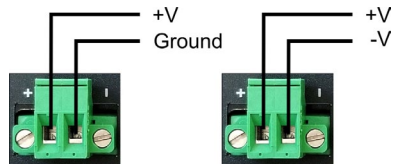


*Ground Screw Location*

Connect the power cables to the module by fastening the stripped ends to the DC power connector.



*Power Connections*



*Power Options*

**WARNING:** The positive lead of the power source must be connected to the “+” terminal on the module and the negative lead of the power source to the “-” terminal on the module as shown above.

The power connections on the module are isolated. This provides support of positive or negative power connections.

**WARNING:** Note the wire colors used in making the positive, negative and ground connections. Use the same color assignment for the connection at the circuit breaker.

Connect the power wires to the circuit breaker and switch the circuit breaker ON. If any modules are installed, the Power LED(s) will indicate the presence of power.

During the installation, ensure that the ground potentials are maintained throughout the system connections. This includes but not limited to the power source ground and any shielded cabling grounds.

**WARNING!!!**  
NEVER ATTEMPT TO OPEN THE CHASSIS OR SERVICE THE POWER SUPPLY. OPENING THE CHASSIS MAY CAUSE SERIOUS INJURY OR DEATH. THERE ARE NO USER REPLACEABLE OR SERVICEABLE PARTS IN THIS UNIT.

Make sure to disconnect both power connectors and the ground cables before removing the equipment.

#### 4) Connect Cables

- a. When using SFP models, insert the SFP fiber transceiver into the SFP receptacle on the front of the module (see the SFP Data Sheet 091-17000-001 for supported Gigabit transceivers).

**NOTE: The release latch of the SFP fiber transceiver must be in the closed (up) position before insertion.**

- b. Connect an appropriate multimode or single-mode fiber cable to the fiber port on the front of the module. It is important to ensure that the transmit (TX) is attached to the receive side of the transceiver at the other end and the receive (RX) is attached to the transmit side. When using single-fiber (SF) models, the TX wavelength must match the RX wavelength at the other end and the RX wavelength must match the TX wavelength at the other end.
- c. Connect the Ethernet 10/100/1000 RJ-45 port using a Category 5 or better cable to an external 10BASE-T, 100BASE-TX or 1000BASE-T Ethernet device.

Description	IEEE 802.3af PoE	IEEE 802.3at PoE+
Power Supply Voltage Range	46.0 to 57.0 VDC	51.0 to 57.0 VDC
Voltage Range at PSE port Output	44.0 to 56.0 VDC	50.0 to 56.0 VDC
Maximum Power from PoE/PSE port	15.4 watts	30 watts
Minimum Voltage at PoE/PD port input*	37.0 VDC	42.5 VDC
Minimum Power at PoE/PD port*	12.95 watts	25.5 watts
* at 100 meters using Cat5		

#### *PoE and PoE+ Requirements*

#### 5) Verify Operation

Verify the module is operational by viewing the LED indicators. The number of power LEDs indicators will depend on the model of the module.

Power LED Indicators		
Legend	Indicator	Description
Pwr	OFF	Unit not powered
	Green - ON	Unit powered
	Green - Blinking at 1Hz	Indicates reset button has been pressed for more than 5 seconds and the module is ready to be restored to factory default values
	Amber - ON	Input voltage below or above nominal range

#### *Power LED Indicators*

Uplink Ports LED Indicators - SFP and Copper Uplink Models		
Legend	Indicator	Description
10 (100+1000)	OFF	No link
	Green - ON	Port linked at 10Mbps
	Green - Blinking at 10Hz	Port data activity at 10Mbps
	Green - Blinking at 1Hz	Port linked at 10Mbps and in redundant secondary mode
100	OFF	No link
	Green - ON	Port linked at 100Mbps
	Green - Blinking at 10Hz	Port data activity at 100Mbps
	Green - Blinking at 1Hz	Port linked at 100Mbps and in redundant secondary mode
	Amber - Blinking at 1Hz	Port linked at 100Mbps and receiving Far End Fault Indicator (FEFI)
1000	OFF	No link
	Green - ON	Port linked at 1000Mbps
	Green - Blinking at 10Hz	Port data activity at 1000Mbps
	Green - Blinking at 1Hz	Port linked at 1000Mbps and in redundant secondary mode
	Amber - Blinking at 1Hz	Port linked at 1000Mbps and receiving AN Remote Fault

#### *Uplink LED Indicator - SFP and Copper Models*

Fiber Ports LED Indicators - Fixed Fiber Models		
Legend	Indicator	Description
1000	OFF	No link
	Green - ON	Port linked at 1000Mbps
	Green - Blinking at 10Hz	Port data activity at 1000Mbps
	Green - Blinking at 1Hz	Port linked at 1000Mbps and in redundant secondary mode
	Amber - Blinking at 1Hz	Port linked at 1000Mbps and receiving AN Remote Fault

*Fiber LED Indicators - Fixed Fiber Models*

RJ-45 PoE User Ports LED Indicators		
Legend	Indicator	Description
100	OFF	No link
	Green - ON	Port linked at 100Mbps
	Green - Blinking at 10Hz	Port data activity at 100Mbps
	Amber -ON	Port linked at 100Mbps Half-duplex
	Amber - Blinking at 10Hz	Port data activity at 100Mbps Half-duplex
1000	OFF	No link
	Green - ON	Port linked at 1000Mbps
	Green - Blinking at 10Hz	Port data activity at 1000Mbps
	Amber -ON	Port linked at 1000Mbps Half-duplex
	Amber - Blinking at 10Hz	Port data activity at 1000Mbps Half-duplex
10 (100+1000)	OFF	No link
	Green - ON	Port linked at 10Mbps
	Green - Blinking at 10Hz	Port data activity at 10Mbps
	Amber -ON	Port linked at 10Mbps Half-duplex
	Amber - Blinking at 10Hz	Port data activity at 10Mbps Half-duplex
PoE/PSE	OFF	Port PSE inactive
	Amber - ON	Port PSE inactive - exceeding the power source
	Green - single blink	Powered by 802.3af PoE 15W
	Green - two blinks	Powered by 802.3at PoE 30W

*RJ-45 LED Indicators*

## Specifications

<b>Description</b>	<b>RuggedNet® GPoE+/Si</b> 10/100/1000BASE-T with Gigabit Fiber or Copper Uplinks Ruggedized Unmanaged PoE+ Ethernet Switch	
<b>Standard Compliances</b>	IEEE 802.3, IEEE 802.3af (15.40 watts), IEEE 802.3at (30 watts)	
<b>Environmental</b>	REACH, RoHS and WEEE	
<b>PoE Modes</b>	IEEE Alternate A (Alt A)	
<b>Frame Size</b>	Up to 10,240 bytes	
<b>Port Types</b>	Copper: 10/100/1000BASE-T (RJ-45) Fiber: 1000BASE-X (ST, SC, LC, SFP) 10/100/1000BASE-T SGMII (SFP)	
<b>Cable Types</b>	Copper: EIA/TIA 568A/B, Cat 5 UTP and higher Fiber: Multimode: 50/125, 62.5/125µm Single-mode: 9/125µm	
<b>DC Power Requirements</b>	4 RJ-45 Ports: +46 to +57VDC; inclusive of tolerances 2.31A @ 56VDC 2 Pin Terminal (non-isolated)	8 RJ-45 Ports +46 to +57VDC; inclusive of tolerances 4.47A @ 56VDC 2 Pin Terminal (non-isolated)
<b>Dimensions (W x D x H)</b>	1.5" x 5.5" x 5.5" (38.1 mm x 139.7 mm x 139.7 mm)	
<b>Weight</b>	4 RJ-45 Ports: 1.70 lb. (772 grams)	8 RJ-45 Ports: 1.77 lb. (803 grams)
<b>Operating Temperature</b>	Extended: -40 to 75°C Storage: -40 to 80°C	
<b>Humidity</b>	5 to 95% (non-condensing)	
<b>Altitude</b>	-100m to 4,000m (operational)	
<b>MTBF (hours)</b>	278,000	
<b>Warranty</b>	5 year product warranty with 24/7/365 free Technical Support	

<b>Regulatory Compliances</b>	Safety:	UL 62368-1, UL 60950-1, IEC 62368-1, IEC 60950-1, EN 62368-1, EN 60950-1, CAN/CSA C22.2 No. 62368-1-14, CAN/CSA C22.2 No. 60950-1, CE Mark, UKCA
	EMC:	EN 55032/24 CE Emissions/Immunity, IEC 61000-6-4 Industrial Emissions, IEC 61000-6-2 Industrial Immunity
	EMI:	CISPR 32, FCC 47 Part 15 Subpart B Class A
	EMS:	IEC 61000-4-2 ESD: Contact: 6 kV; Air: 8 kV, IEC 61000-4-3 RS: 80 MHz to 1 GHz: 10 V/m (on UTP cabling) and 20 V/m (on STP cabling), IEC 61000-4-4 EFT: Power: 2 kV; Signal: 1 kV, IEC 61000-4-5 Surge: Power: 2 kV; Signal: 2 kV, IEC 61000-4-6 CS: Signal: 10 V, IEC 61000-4-8 ( Magnetic Field), 30A/m, IEC 61000-4-11 (General Immunity in Industrial Environments)
	IP Rating:	IP40 Protection
	ACT:	TAA, BAA, NDAA

If you encounter problems while installing this product, contact Omnitron Technical Support:

Phone: (949) 250-6510  
 Fax: (949) 250-6514  
 Address: Omnitron Systems Technology, Inc.  
 38 Tesla  
 Irvine, CA 92618, USA  
 Email: support@omnitron-systems.com  
 URL: www.omnitron-systems.com

## Customer Support Information