

### RuggedNet® 10GMGPoE+/Si and 10GMGPoEBT/Si

Unmanaged Industrial Multi-Gigabit/Multi-Rate 100M, 1G, 2.5G, 5G, 10G PoE Ethernet Switch

The RuggedNet 10GMGPoE+/Si and 10GMGPoEBT/Si are unmanaged industrial multi-gigabit Ethernet switches featuring one 1/10G SFP/SFP+ or multi-gigabit/multi-rate RJ-45 uplink port and two multi-gigabit/multi-rate RJ-45 and two 10/100/1000 PoE RJ-45 user ports. They support PoE, PoE+ and PoEBT up to 100 watts depending on the model.

The RJ-45 user ports support multi-gigabit/multi-rate speeds of 100Mbps, 1Gbps, 2.5Gbps, 5Gbps and 10Gbps, supporting frame sizes up to 10,240 bytes.

The 10GMGPoE+/Si supports IEEE 802.3at (15 and 30W) and the 10GMGPoEBT/Si supports IEEE 802.3bt (60 and 100W) per user port depending on the model.

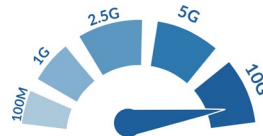
All models support Directed Switch mode, which directs multicast traffic (such as video) only to the appropriate uplink port, preventing multicast traffic from flooding other network ports.

The modules support a PoE power reset function that enables the attached PD device, such as a camera or access point, to be re-initialized remotely, eliminating the need for costly truck rolls to remote PD sites. When a problem with a PD is detected, the fiber port on the module can be disconnected, triggering the PoE power reset function.

The switches feature a Small Form Pluggable (SFP) transceiver receptacle port supporting a variety of copper and fiber transceivers. It supports 10/100/1000BASE-T, 1000BASE-T, 100M/1G/2.5G/5G/10GBASE-T multi-gigabit copper transceivers and 1G and 10G multimode or single-mode fiber, dual or single-fiber transceivers in standard, CWDM and DWDM wavelengths.

The RuggedNet PoE switches are well suited for the power and bandwidth demands imposed by IP cameras, access points and small cell devices on the market today. RuggedNet 10G switches provide high-speed network distance extension with fiber optic cabling, and function as PoE injectors.

All models can be wall or rack mounted using a wall mount bracket and shelf or DIN-rail mounted using the included DIN-rail mounting clip. They are available with dual DC input power.



SFPs not included

### KEY FEATURES

- Unmanaged Industrial 10G multi-gigabit/multi-rate PoE Ethernet Switch
- Models support IEEE 802.3af, IEEE 802.3at and IEEE 802.3bt (60W and 100W)
- Directed Switch mode prevents flooding of multicast video traffic
- Configurable PoE power reset
- One SFP/SFP+ transceiver uplink port or multi-gigabit/multi-rate copper port
- 1/10G SFP/SFP+ standard/CWDM/DWDM fiber transceiver uplink port
- Uplink port supports copper and fiber SFP/SFP+ transceivers
- Multi-gigabit/multi-rate ports supports speeds of 100Mbps, 1Gbps, 2.5Gbps, 5Gbps and 10Gbps
- Two multi-gigabit/multi-rate RJ-45 PoE and two 10/100/1000 RJ-45 PoE user ports
- Dual DC power for redundancy
- Wall, Rack and DIN-rail mountable
- Fan-less design for long life
- Industrial (-40 to 75° C) operating temperature
- TAA, BAA and NDAA compliant, and Made in the USA
- Free 24/7/365 Technical Support

# APPLICATIONS

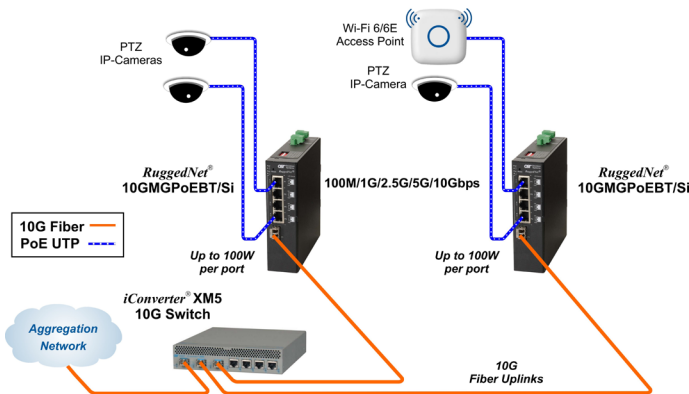
## Security and Wireless

In this application example, outdoor IP surveillance cameras and Wi-Fi 6/6E Access Points are installed throughout a large facility. An iConverter<sup>®</sup> XM5 aggregation fiber switch is used to distribute a fiber link from a control room to RuggedNet switches with a fiber SFP port.

The RuggedNet 10MGMPoEBT/Si provides up to 100W of Power-over-Ethernet (PoE) to an IP camera and Wireless Access Point at each location, each of which can be located up to 100 meters from the switches.

When less power is required the RuggedNet 10MGMPoE+/Si can be used to deliver 30 watt of power per port.

The camera and access point have full bandwidth capability utilizing the 10G fiber uplink port on each 10MGMPoEBT/Si switch.

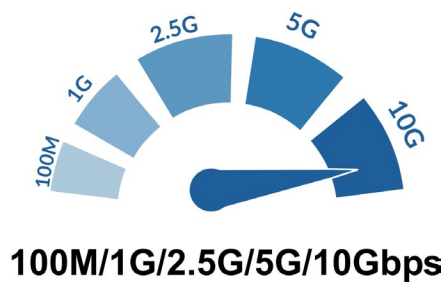
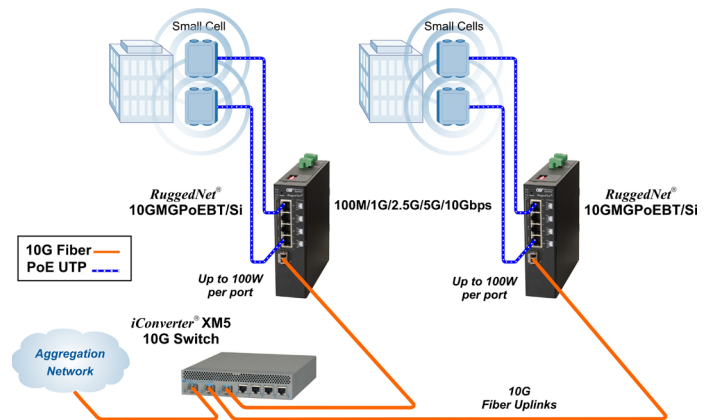


## Small Cell

Small cell devices are increasing their demand on both power and bandwidth requirements. Speeds of 10Gbps and 100W is common with today's small cell devices.

In this application example, high-speed small cell devices requiring up to 10Gbps bandwidth are deployed inside several buildings. An iConverter<sup>®</sup> XM5 aggregation fiber switch is used to distribute a fiber link to each RuggedNet switch.

The RuggedNet 10MGMPoEBT/Si switches provide up to 100 watts and speeds up to 10Gbps on the RJ-45 user ports.



| Power / Voltage Requirements and Specifications per IEEE              |                  |                   |                               |                                |
|---|------------------|-------------------|-------------------------------|--------------------------------|
| Description   | IEEE 802.3af PoE | IEEE 802.3at PoE+ | IEEE 802.3bt PoE (60W Type 3) | IEEE 802.3bt PoE (100W Type 4) |
| Power Supply Voltage Range  | 46.0 to 57.0 VDC | 51.0 to 57.0 VDC  | 51.0 to 57.0 VDC              | 53.0 to 57.0 VDC               |
| Voltage Range at PSE port Output                                      | 44.0 to 56.0 VDC | 50.0 to 56.0 VDC  | 50.0 to 56.0 VDC              | 52.0 to 56.0 VDC               |
| Maximum Power from PoE/PSE port                                       | 15.4 watts       | 30 watts          | 60 watts                      | 100 watts                      |
| Minimum Voltage at PoE/PD port input (at 100 meters using Cat5 Cable) | 37.0 VDC         | 42.5 VDC          | 42.5 VDC                      | 41.1 VDC                       |
| Minimum Power at PoE/PD port (at 100 meters using Cat5 Cable)         | 12.95 watts      | 25.5 watts        | 51 watts                      | 71 watts                       |

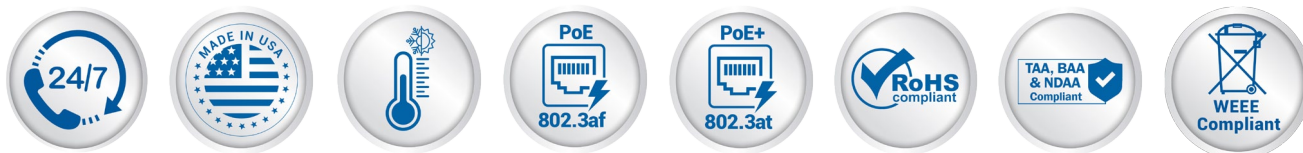
# SPECIFICATIONS

|   |  |  |  |
|---|--|--|--|
| <b>Description</b>                      | <b>RuggedNet® 10MGMPoE+/Si</b><br>Unmanaged Industrial IEEE 802.3at 10Gigabit Multi-Gigabit/Multi-Rate Ethernet Switch   | <b>RuggedNet® 10MGMPoEBT/Si</b><br>Unmanaged Industrial IEEE 802.3bt 10Gigabit Multi-Gigabit/Multi-Rate Ethernet Switch        |  |
| <b>Standard Compliances</b>             | IEEE 802.3, 802.3bz,<br>IEEE 802.3af (15.4 watts max)<br>IEEE 802.3at (30 watts max)   | IEEE 802.3, 802.3bz,<br>IEEE 802.3af (15.4 watts max), IEEE 802.3at (30 watts max)<br>IEEE 802.3bt (60 watts or 100 watts max) |  |
| <b>Regulatory Compliances (Pending)</b> | <p>Safety*: UL 62368-1, UL 60950-1, IEC 62368-1, IEC 60950-1, EN 62368-1, EN 60950-1, CAN/CSA C22.2 No. 62368-1-14, CAN/CSA C22.2 No. 60950-1, CE Mark, UKCA</p> <p>EMC: EN 55032/24 CE Emissions/Immunity, IEC 61000-6-4 Industrial Emissions, IEC 61000-6-2 Industrial Immunity</p> <p>EMI: CISPR 32, FCC 47 Part 15 Subpart B Class A</p> <p>EMS: IEC 61000-4-2 ESD: Contact: 6 kV; Air: 8 kV, IEC 61000-4-3 RS: 80 MHz to 1 GHz: 10 V/m (on UTP cabling) and 20 V/m (on STP cabling) IEC 61000-4-4 EFT: Power: 2 kV; Signal: 1 kV, IEC 61000-4-5 Surge: Power: 2 kV; Signal: 2 kV, IEC 61000-4-6 CS: Signal: 10 V, IEC 61000-4-8 (Magnetic Field), 30A/m, IEC 61000-4-11 (General Immunity in Industrial Environments)</p> <p>IP Rating: IP40 Protection<br/>ACT: TAA, BAA, NDAA</p> |  |  |
| <b>Environmental</b>                    | REACH, RoHS and WEEE   |  |  |
| <b>PoE Modes</b>                        | IEEE Alternate A (Alt A)   |  |  |
| <b>Frame Size</b>                       | Up to 10,240 bytes   |  |  |
| <b>Port Types</b>                       | <p>Copper: 100/1000BASE-T, 2.5GBASE-T/5GBASE-T/10GBASE-T (RJ-45)<br/>10/100/1000BASE-T (RJ-45)</p> <p>SFP/SFP+: 10GBASE-X Fiber Transceivers, 10GBASE-T Copper Transceivers<br/>1000BASE-X Fiber Transceivers, 1000BASE-T Copper Transceivers<br/>10/100/1000BASE-T SGMII Copper Transceivers<br/>100/1000/2.5G/5G/10GBASE-T Multi-rate Copper Transceivers</p>  |  |  |
| <b>Cable Types</b>                      | <p>Copper: Twisted-pair cable up to 100 meters<br/>10BASE-T: 4-pair UTP Cat 3, 4, 5, 5e, 6, 6A<br/>100BASE-TX: 4-pair UTP Cat 5, 5e, 6, 6A<br/>1G/2.5G: 4-pair UTP Cat 5e, 6, 6A, 7<br/>5G: 4-pair UTP Cat 6, 6A, 7<br/>10G: 4-pair UTP Cat 6A, 7</p> <p>Fiber: Multimode: 50/125, 62.5/125µm<br/>Single-mode: 9/125µm</p>   |  |  |
| <b>DC Power Requirements</b>            | +46 to +57VDC;<br>2.34A @ 56VDC<br>2 Pin Terminal (isolated)   | 60 watt Models:<br>+46 to +57VDC;<br>4.49A @ 56VDC<br>2 Pin Terminal (isolated)  | 100 watt Models:<br>+46 to +57VDC;<br>7.38A @ 56VDC<br>2 Pin Terminal (isolated) |
| <b>Dimensions (W x D x H)</b>           | 1.5" x 5.2" x 5.5" (38.1 mm x 132.1 mm x 139.7 mm)   |  |  |
| <b>Weight</b>                           | 1.5 lbs. (680 grams)   |  |  |
| <b>Operating Temperature</b>            | Extended: -40 to 75°C<br>Storage: -40 to 80°C  |  |  |
| <b>Humidity</b>                         | 5 to 95% (non-condensing)  |  |  |
| <b>Altitude</b>                         | -100m to 4,000m (operational)  |  |  |
| <b>MTBF (hours)</b>                     | 260,000  |  |  |
| <b>Warranty</b>                         | 5 year product warranty with 24/7/365 free Technical Support   |  |  |

# ORDERING INFORMATION

| RuggedNet 10GMGPOE+/Si Models |  |
|-------------------------------|--|
| Model Number                  | Description  |
| 9661-0-14-ZZ                  | 10GMGPOE+/Si - 1 x SFP+ + 2 x 100/1G/2.5G/5G/10G RJ-45 30W per port + 2 x 10/100/1000 RJ-45 30W per port, dual power inputs (2-pin terminal block), industrial temperature range -40 to 75°C                     |
| 9661-1-14-ZZ                  | 10GMGPOE+/Si - 1 x 100/1G/2.5G/5G/10G RJ-45 + 2 x 100/1G/2.5G/5G/10G RJ-45 30W per port + 2 x 10/100/1000 RJ-45 30W per port, dual power inputs (2-pin terminal block), industrial temperature range -40 to 75°C |

Contact Omnitron for other fiber options. Order the appropriate SFPs separately. [Visit the Omnitron Optical Transceivers web page.](#)



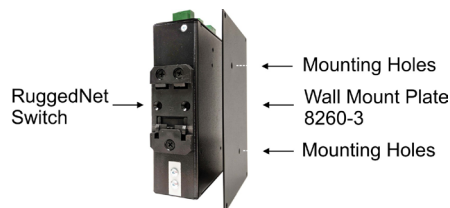
| RuggedNet 10MGPOEBT/Si Models |   |
|-------------------------------|---|
| Model Number                  | Description   |
| 9662-0-14-ZZ                  | 10MGPOEBT/Si 60W - 1 x SFP+ + 2 x 100/1G/2.5G/5G/10G RJ-45 60W per port + 2 x 10/100/1000 RJ-45 60W per port, dual power inputs (2-pin terminal block), industrial temperature range -40 to 75°C                        |
| 9662-1-14-ZZ                  | 10MGPOEBT/Si 60W - 1 x 100/1G/2.5G/5G/10G RJ-45 + 2 x 100/1G/2.5G/5G/10G RJ-45 60W per port + 2 x 10/100/1000 RJ-45 60W per port, dual power inputs (2-pin terminal block), industrial temperature range -40 to 75°C    |
| 9663-0-14-ZZ                  | 10MGPOEBT/Si 100W - 1 x SFP+ + 2 x 100/1G/2.5G/5G/10G RJ-45 100W per port + 2 x 10/100/1000 RJ-45 100W per port, dual power inputs (2-pin terminal block), industrial temperature range -40 to 75°C                     |
| 9663-1-14-ZZ                  | 10MGPOEBT/Si 100W - 1 x 100/1G/2.5G/5G/10G RJ-45 + 2 x 100/1G/2.5G/5G/10G RJ-45 100W per port + 2 x 10/100/1000 RJ-45 100W per port, dual power inputs (2-pin terminal block), industrial temperature range -40 to 75°C |

Contact Omnitron for other fiber options. Order the appropriate SFPs separately. [Visit the Omnitron Optical Transceivers web page.](#)



## ACCESSORIES

| Model Number | Description   |
|--------------|---|
| 8260-3       | Wall Mounting Plate   |
| 8260-0       | 19" rack mount shelf (up to 2 modules with wall mounting plate installed) |



Wall Mount Plate used to wall or rack mount the RuggedNet switch

©2024 Omnitron Systems Technology, Inc. RuggedNet is a registered trademark of Omnitron Systems Technology, Inc. Trademarks are owned by their respective companies. Specifications subject to change without notice. All rights reserved.

