

### RuggedNet® 10G/Si

#### Unmanaged Industrial 6 and 10 Port 10Gigabit Ethernet Switch

The RuggedNet 10G/Si is an unmanaged Industrial Ethernet switch that features two 1/10G uplink ports and four or eight 10/100/1000 RJ-45 user ports. The RuggedNet 10G/Si enables industrial network distance extension with fiber cabling.

The RuggedNet 10G/Si is a Layer 2 Ethernet switch that forwards frames to any port based on their MAC address.

All models support Directed Switch mode, which directs multicast traffic (such as video) only to the appropriate uplink port, preventing multicast traffic from flooding other network ports.

The switches support daisy-chain configurations and redundant uplinks for critical applications that require protection and sub 50ms restoration in the event of an uplink failure.

The switches support Dual Device mode that enables the 10G/Si to operate as two independent and isolated Ethernet switches. In Dual Device mode, the 10G/Si provides separate and independent data traffic paths between each uplink port and a group of copper ports.

The 10G/Si modes of operation can be configured using easily accessible DIP-switches. Each DIP-switch function is labeled on the side of the RuggedNet for ease of identification and use.

The RuggedNet switches are available with Small Form Pluggable (SFP) transceiver receptacle ports. The SFP ports support 10/100/1000BASE-T, 1000BASE-T and 10GBASE-T copper transceivers. They also support 1G and 10G multimode or single-mode fiber, dual or single-fiber and standard or CWDM/DWDM wavelengths.

The RuggedNet compact industrial Ethernet switches can be wall or rack mounted using a wall mount bracket and shelf or DIN-rail mounted using the included DIN-rail mounting clip. They are available with dual DC input power.



SFPs not included

### KEY FEATURES

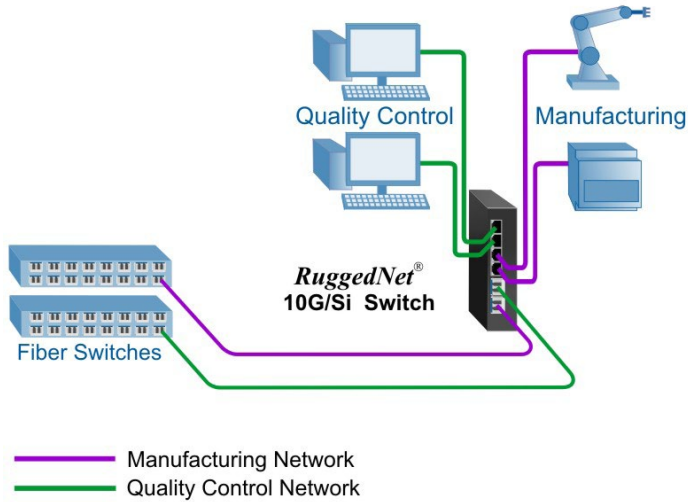
- Unmanaged 6 and 10 Port 1/10G Ethernet Switch
- Dual Device mode for operating as two separate switches
- Directed Switch mode prevents flooding of multicast video traffic
- Uplink redundancy
- Two 1/10G SFP/SFP+ transceiver uplink ports
- Supports copper and fiber SFP transceivers
- Supports speeds of 10M, 100M, 1G and 10Gbps copper SFP/SFP+ transceivers
- Four or eight 10/100/1000 copper ports
- Dual DC power for redundancy
- Wall, Rack and DIN-rail mountable
- Fan-less design for long life
- Industrial (-40 to 75° C) operating temperature
- TAA, BAA and NDAA compliant, and Made in the USA
- Free 24/7/365 Technical Support

# APPLICATIONS

## Dual Device Mode Application

This Dual Device feature is extremely useful when two isolated networks domains share a single network distribution location.

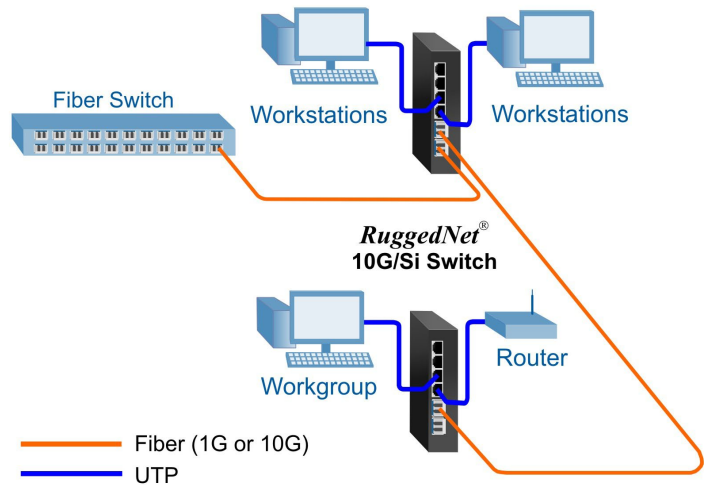
The example below depicts a scenario where the Quality Control (green) network and the Manufacturing (purple) network are sharing a single hub distribution location. Using the two uplinks and the Dual Switch mode facilitates using a single switch driving both the Quality Control and the Manufacturing devices while maintaining isolation between the networks.



## Industrial Daisy Chain Application

This example demonstrates the daisy chain capabilities of the RuggedNet switches. In this application each RuggedNet switch connects to its neighboring switches via its uplink ports. The daisy chain can continue to additional switches using this method of connectivity.

In this application, two locations are connected using the RuggedNet switches providing high speed connectivity between the workstations and the router.



# SPECIFICATIONS

<b>Description</b>	<b>RuggedNet® 10G/Si</b> 10/100/1000BASE-T with 1/10G Uplink Ports Ruggedized Unmanaged 6 and 10 Port 10Gigabit Ethernet Switch	
<b>Standard Compliances</b>	IEEE 802.3	
<b>Regulatory Compliances (*Pending)</b>	<p>Safety*: UL 62368-1, UL 60950-1, IEC 62368-1, IEC 60950-1, EN 62368-1, EN 60950-1, CAN/CSA C22.2 No. 62368-1-14, CAN/CSA C22.2 No. 60950-1, CE Mark, UKCA</p> <p>EMC: EN 55032/24 CE Emissions/Immunity, IEC 61000-6-4 Industrial Emissions, IEC 61000-6-2 Industrial Immunity</p> <p>EMI: CISPR 32, FCC 47 Part 15 Subpart B Class A</p> <p>EMS: IEC 61000-4-2 ESD: Contact: 6 kV; Air: 8 kV, IEC 61000-4-3 RS: 80 MHz to 1 GHz: 10 V/m (on UTP cabling) and 20 V/m (on STP cabling) IEC 61000-4-4 EFT: Power: 2 kV; Signal: 1 kV, IEC 61000-4-5 Surge: Power: 2 kV; Signal: 2 kV, IEC 61000-4-6 CS: Signal: 10 V, IEC 61000-4-8 (Magnetic Field), 30A/m, IEC 61000-4-11 (General Immunity in Industrial Environments)</p> <p>IP Rating: IP40 Protection ACT: TAA, BAA, NDAA</p>	
<b>Environmental</b>	REACH, RoHS and WEEE	
<b>Frame Size</b>	Up to 10,240 bytes	
<b>Port Types</b>	<p>Copper: 10/100/1000BASE-T (RJ-45)</p> <p>SFP/SFP+: 10GBASE-X Fiber Transceivers 10GBASE-T Copper Transceivers 1000BASE-X Fiber Transceivers 1000BASE-T Copper Transceivers 10/100/1000BASE-T SGMII Copper Transceivers</p>	
<b>Cable Types</b>	<p>Copper: EIA/TIA 568A/B, Cat 5 UTP and higher</p> <p>Fiber: Multimode: 50/125, 62.5/125µm Single-mode: 9/125µm</p>	
<b>DC Power Requirements</b>	<p>4 RJ-45 Ports:</p> <p>+12 to +57VDC; 0.81A @ 12VDC 0.20A @ 48VDC 2 Pin Terminal (isolated)</p>	<p>8 RJ-45 Ports:</p> <p>+12 to +57VDC; 0.90A @ 12VDC 0.22A @ 48VDC 2 Pin Terminal (isolated)</p>
<b>Dimensions (W x D x H)</b>	1.5" x 5.5" x 5.5" (38.1 mm x 139.7 mm x 139.7 mm)	
<b>Weight</b>	<p>4 RJ-45 Ports:</p> <p>1.70 lb. (772 grams)</p>	<p>8 RJ-45 Ports:</p> <p>1.77 lb. (803 grams)</p>
<b>Operating Temperature</b>	<p>Industrial: -40 to 75°C Storage: -40 to 80°C</p>	
<b>Humidity</b>	5 to 95% (non-condensing)	
<b>Altitude</b>	-100m to 4,000m (operational)	
<b>MTBF (hours)</b>	304,000	
<b>Warranty</b>	5 year product warranty with 24/7/365 free Technical Support	

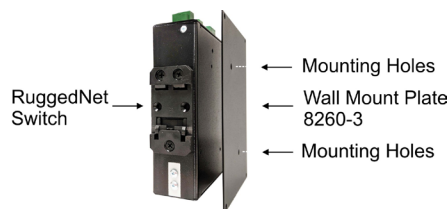
# ORDERING INFORMATION

RuggedNet 10G/Si Models	
Model Number	Description
2903-0-24-2Z	RuggedNet 10G/Si 2 x SFP/SFP+ uplink port and 4 x RJ-45 ports, Dual DC Terminal Connectors, Industrial Temperature
2903-0-28-2Z	RuggedNet 10G/Si 2 x SFP/SFP+ uplink port and 8 x RJ-45 ports, Dual DC Terminal Connectors, Industrial Temperature

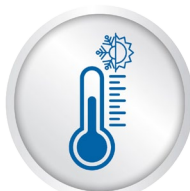
Contact Omnitron for other fiber options. Order the appropriate SFPs separately. [Visit the Omnitron Optical Transceivers web page.](#)

## ACCESSORIES

Model Number	Description
8260-3	Wall Mounting Plate
8260-0	19" rack mount shelf (up to 2 modules with wall mounting plate installed)



Wall Mount Plate used to wall or rack mount the RuggedNet switch



©2024 Omnitron Systems Technology, Inc. RuggedNet is a registered trademark of Omnitron Systems Technology, Inc. Trademarks are owned by their respective companies. Specifications subject to change without notice. All rights reserved.

