

*Omniconverter*<sup>®</sup>  
GPoEBT/S



**User Manual**

**General and Copyright Notice**

This publication is protected by U.S. and international copyright laws. All rights reserved. The whole or any part of this publication may not be reproduced, stored in a retrieval system, translated, transcribed, or transmitted, in any form, or by any means, manual, electric, electronic, electromagnetic, mechanical, chemical, optical or otherwise, without prior explicit written permission of Omnitron Systems Technology, Inc.

The following trademarks are owned by Omnitron Systems Technology, Inc.: FlexPoint<sup>®</sup>, FlexSwitch<sup>™</sup>, iConverter<sup>®</sup>, miConverter<sup>®</sup>, NetOutlook<sup>®</sup>, OmniLight<sup>®</sup>, OmniConverter<sup>®</sup>, RuggedNet<sup>®</sup>, Omnitron Systems Technology, Inc.<sup>™</sup>, OST<sup>™</sup> and the Omnitron logo.

All other company or product names may be trademarks of their respective owners.

The information contained in this publication is subject to change without notice. Omnitron Systems Technology, Inc. is not responsible for any inadvertent errors.

**Warranty**

This product is warranted to the original purchaser (Buyer) against defects in material and workmanship for a period of two (2) years from the date of shipment. A lifetime warranty may be obtained by the original purchaser by registering this product at [www.omnitron-systems.com/support](http://www.omnitron-systems.com/support) within ninety (90) days from the date of shipment. During the warranty period, Omnitron will, at its option, repair or replace a product which is proven to be defective with the same product or with a product with at least the same functionality.

For warranty service, the product must be sent to an Omnitron designated facility, at Buyer's expense. Omnitron will pay the shipping charge to return the product to Buyer's designated US address using Omnitron's standard shipping method.

**Limitation of Warranty**

The foregoing warranty shall not apply to product malfunctions resulting from improper or inadequate use and/or maintenance of the equipment by Buyer, Buyer-supplied equipment, Buyer-supplied interfacing, unauthorized modifications or tampering with equipment (including removal of equipment cover by personnel not specifically authorized and certified by Omnitron), or misuse, or operating outside the environmental specification of the product (including but not limited to voltage, ambient temperature, radiation, unusual dust, etc.), or improper site preparation or maintenance.

No other warranty is expressed or implied. Omnitron specifically disclaims the implied warranties of merchantability and fitness for any particular purpose.

The remedies provided herein are the Buyer's sole and exclusive remedies. Omnitron shall not be liable for any direct, indirect, special, incidental, or consequential damages, whether based on contract, tort, or any legal theory.

## Environmental Notices

The equipment covered by this manual must be disposed of or recycled in accordance with the Waste Electrical and Electronic Equipment Directive (WEEE Directive) of the European Community directive 2012/19/EU on waste electrical and electronic equipment (WEEE) which, together with the RoHS Directive 2015/863/EU, for electrical and electronic equipment sold in the EU after July 2019. Such disposal must follow national legislation for IT and Telecommunication equipment in accordance with the WEEE directive: (a) Do not dispose waste equipment with unsorted municipal and household waste. (b) Collect equipment waste separately. (c) Return equipment using collection method agreed with Omnitron.

The equipment is marked with the WEEE symbol shown to indicate that it must be collected separately from other types of waste. In case of small items the symbol may be printed only on the packaging or in the user manual. If you have questions regarding the correct disposal of equipment go to [www.omnitron-systems.com/support](http://www.omnitron-systems.com/support) or e-mail to Omnitron at [intlinfo@omnitron-systems.com](mailto:intlinfo@omnitron-systems.com).



## Safety Warnings and Cautions



**ATTENTION:** Observe precautions for handling electrostatic discharge sensitive devices.



**WARNING:** Potential damage to equipment and personal injury.



**WARNING:** Risk of electrical shock.

# OmniConverter GPoEBT/S User Manual

## Product Overview

The OmniConverter GPoEBT/S is a multi-port High-Power PoE Ethernet media converters that feature one or two uplink ports and one or two 10/100/1000 RJ-45 copper PoE ports. The uplink ports can be fiber or copper

[See data sheet for available models.](#)

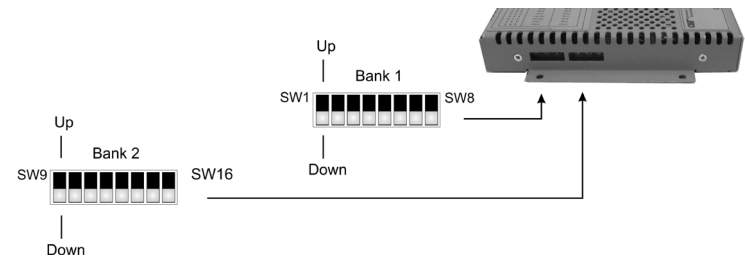
The GPoEBT/S also supports IEEE 802.3af PoE, IEEE 802.3at PoE+ and IEEE 802.3bt 60W and 100W standards per RJ-45 port, depending on the model of the GPoEBT/S. The modules supports frame sizes up to 10,240 bytes.

## Installation Procedure

- 1) Configure DIP-switches
- 2) Installing the Module
- 3) Apply Power
- 4) Connect Cables
- 5) Verify Operation

### 1) Configure DIP-switches

DIP-switches are located on the side of the module. The DIP-switches are used to configure ports, link modes and PoE/PSE options.



The table below provides a description of each DIP-switch position and function for Dual Uplink Ports.

Switch	Position	Function					
		2 SFP + 2 PoE+ RJ-45	2 RJ-45 + 2 PoE+ RJ-45	2 LC + 2 PoE+ RJ-45	2 SFP + 1 PoE+ RJ-45	2 RJ-45 + 1 PoE+ RJ-45	2 LC + 1 PoE+ RJ-45
1	DOWN	Mode of Operation					
	UP						
2	DOWN						
	UP						
3	DOWN	P1/P2 Rate Auto	P1/P2 AN	Reserved	P1/P2 Rate Auto	P1/P2 AN	Reserved
	UP	P1/P2 Rate 100M	P1/P2 100M FDX		P1/P2 Rate 100M	P1/P2 100M FDX	
4	DOWN	P3 AN					
	UP	P3 MAN					
5	DOWN	P3 100M					
	UP	P3 10M					
6	DOWN	P3 FDX					
	UP	P3 HDX					
7	DOWN	P4 AN			Reserved	Reserved	Reserved
	UP	P4 MAN					
8	DOWN	P4 100M			Reserved	Reserved	Reserved
	UP	P4 10M					
9	DOWN	P4 FDX			Reserved	Reserved	Reserved
	UP	P4 HDX					
10	DOWN	P3 PoE Reset Disable					
	UP	P3 PoE Reset Enable					
11	DOWN	P4 PoE Reset Disable			Reserved	Reserved	Reserved
	UP	P4 PoE Reset Enable					
12	DOWN	Pause Enabled					
	UP	Pause Disabled					
13	DOWN	Link Modes					
	UP						
14	DOWN						
	UP						
15	DOWN	P3 Force PoE Power Disable					
	UP	P3 Force PoE Power Enable					
16	DOWN	P4 Force PoE Power Disable			Reserved	Reserved	Reserved
	UP	P4 Force PoE Power Enable					

The fixed fiber ports operates at 1000M only.

The table below provides a description of each DIP-switch position and function for Single Uplink Ports.

Switch	Position	Function					
		1 SFP + 2 PoE+ RJ-45	1 RJ-45 + 2 PoE+ RJ-45	1 FF + 2 PoE+ RJ-45	1 SFP + 1 PoE+ RJ-45	1 RJ-45 + 1 PoE+ RJ-45	1 FF + 1 PoE+ RJ-45
1	DOWN	Mode of Operation			Reserved		
	UP						
2	DOWN				Reserved		
	UP						
3	DOWN	P1 Rate Auto	P1 AN	Reserved	P1 Rate Auto	P1 AN	Reserved
	UP	P1 Rate 100M	P1 100M FDX		P1 Rate 100M	P1 100M FDX	
4	DOWN	P2 AN					
	UP	P2 MAN					
5	DOWN	P2 100M					
	UP	P2 10M					
6	DOWN	P2 FDX					
	UP	P2 HDX					
7	DOWN	P3 AN			Reserved	Reserved	Reserved
	UP	P3 MAN					
8	DOWN	P3 100M			Reserved	Reserved	Reserved
	UP	P3 10M					
9	DOWN	P3 FDX			Reserved	Reserved	Reserved
	UP	P3 HDX					
10	DOWN	P2 PoE Reset Disable					
	UP	P2 PoE Reset Enable					
11	DOWN	P3 PoE Reset Disable			Reserved	Reserved	Reserved
	UP	P3 PoE Reset Enable					
12	DOWN	Pause Enabled					
	UP	Pause Disabled					
13	DOWN	Link Modes					
	UP						
14	DOWN						
	UP						
15	DOWN	P2 Force PoE Power Disable					
	UP	P2 Force PoE Power Enable					
16	DOWN	P3 Force PoE Power Disable			Reserved	Reserved	Reserved
	UP	P3 Force PoE Power Enable					

The fixed fiber ports operates at 1000M only.

## SW1 and SW2: Mode Of Operation

The modules support different modes based on the port configuration. See below.

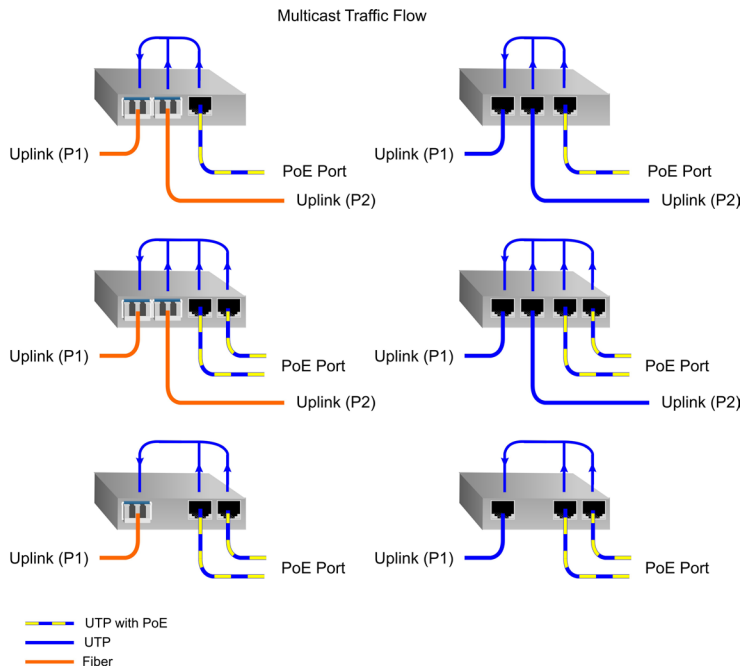
SW1	SW2	2 Uplink Ports + 2 PoE RJ-45 Ports	2 Uplink Ports + 1 PoE RJ-45 Ports	1 Uplink Ports + 2 PoE RJ-45 Ports	1 Uplink Ports + 1 PoE RJ-45 Ports
		Function			
DOWN	DOWN	Normal	Normal	Normal	Normal
DOWN	UP	Directed Switch	Directed Switch	Directed Switch	Reserved
UP	DOWN	Protected	Protected	Reserved	Reserved
UP	UP	Dual Device	Reserved	Reserved	Reserved

### Normal Switch Mode

When these DIP-switch is in the factory default DOWN "Normal" position, the module is configured for Switch Mode. In this mode, the module operates as a standard layer 2 switch. Data flow will follow MAC address mapping.

### Directed Switch (AKA Camera Mode)

When SW1 is in the DOWN position and SW2 is in the UP position, the module is configured for Directed Switch Mode. In this mode, traffic from all the PoE RJ-45 ports is only forwarded to the uplink port P1, preventing broadcast traffic from flooding the other network ports. Incoming traffic from uplink port P1 follows MAC address mapping. For models with two Uplink Ports (copper or fiber), the data traffic on the additional Uplink Port P2 is also forwarded to Uplink Port P1.



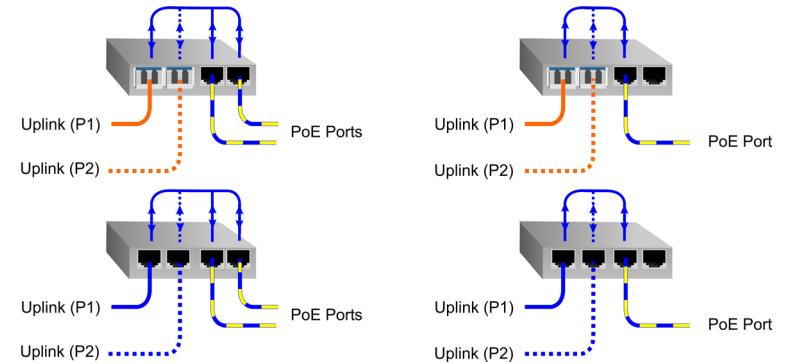
*Directed Switch Mode*

### Protected

Protected mode is only available on models with two uplink ports.

When SW1 is in the UP position and SW2 is in the DOWN position, the module is configured for Protected mode.

When configured for Protected Mode, the uplink ports operate as redundant links. A fault on the primary Uplink Port P1 will cause a fail over to the secondary Uplink Port P2. The module will return to the primary Uplink Port P1 after the failure condition has been restored for 5 seconds.

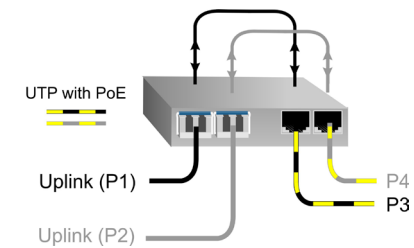


*Protected Mode*

### Dual Device

Dual Device mode is only supported on models with two uplink ports and two PoE RJ-45 ports.

When configured for Dual Device Mode, the module is configured as two logically independent Layer 2 switches. Uplink Port P1 is associated with P3 PoE RJ-45 port and Uplink Port P2 is associated with P4 PoE RJ-45 port. Data flow will follow MAC address mapping.



*Dual Device Mode*

### SW3

Switch SW3 configures the speed of the Uplink port. For SFP models, the module will determine the speed of the installed SFP based on the MSA compliant speed/rate identifier (DOWN). If the module can not determine the speed or recognize the installed transceiver, the speed must be configured per SW3 (UP).

Switch	Position	2 SFP Ports	2 RJ-45 Ports	2 LC Ports	1 SFP Port	1 RJ-45 Port	1 FF Port
SW3	DOWN	P1/P2 Rate Auto	P1/P2 AN	-	P1 Rate Auto	P1 AN	-
	UP	P1/P2 Rate 100M	P1/P2 MAN	-	P1 Rate 100M	P1 MAN	-

### SW4, SW5, SW6, SW7, SW8 and SW9

These switches configure the negotiation, speed and duplex of the PoE+ RJ-45 ports. If the port is configured for auto-negotiation, the speed and duplex DIP-switches are ignored. See table below.

Switch	Position	2 Uplink Ports + 2 PoE+ RJ-45 Ports	2 Uplink Ports + 1 PoE+ RJ-45 Port	1 Uplink Ports + 2 PoE+ RJ-45 Ports	1 Uplink Port + 1 PoE+ RJ-45 Port
SW4	DOWN	P3 Auto	P3 Auto	P2 Auto	P2 Auto
	UP	P3 Manual	P3 Manual	P2 Manual	P2 Manual
SW5	DOWN	P3 100M	P3 100M	P2 100M	P2 100M
	UP	P3 10M	P3 10M	P2 10M	P2 10M
SW6	DOWN	P3 Full-Duplex	P3 Full-Duplex	P2 Full-Duplex	P2 Full-Duplex
	UP	P3 Half-Duplex	P3 Half-Duplex	P2 Half-Duplex	P2 Half-Duplex
SW7	DOWN	P4 Auto	-	P3 Auto	-
	UP	P4 Manual	-	P3 Manual	-
SW8	DOWN	P4 100M	-	P3 100M	-
	UP	P4 10M	-	P3 10M	-
SW9	DOWN	P4 Full-Duplex	-	P3 Full-Duplex	-
	UP	P4 Half-Duplex	-	P3 Half-Duplex	-

### SW10 and SW11

The module can be configured to disable (reset) the PoE output power for 2 seconds after a loss of receive link on any uplink port. This feature is typically used to allow a PD to re-initialize after a failure on the incoming fiber. When the DIP-switches are in the UP position, the module will disable PoE output power for 2 seconds following a loss of receive link on any uplink port. When the DIP-switches are in the DOWN position, PoE reset is disabled. See table below for detailed DIP-switch settings.

Switch	Position	2 Uplink Ports + 2 PoE+ RJ-45 Ports	2 Uplink Ports + 1 PoE+ RJ-45 Port	1 Uplink Ports + 2 PoE+ RJ-45 Ports	1 Uplink Port + 1 PoE+ RJ-45 Port
SW10	DOWN	P3 PoE Reset Disabled	P3 PoE Reset Disabled	P2 PoE Reset Disabled	P2 PoE Reset Disabled
	UP	P3 PoE Reset Enabled	P3 PoE Reset Enabled	P2 PoE Reset Enabled	P2 PoE Reset Enabled
SW11	DOWN	P4 PoE Reset Disabled	-	P3 PoE Reset Disabled	-
	UP	P4 PoE Reset Enabled	-	P3 PoE Reset Enabled	-

### SW12

When a port is in auto-negotiation mode, setting this DIP-switch to the UP position allows the unit to advertise Symmetrical and Asymmetrical Receive Pause capability.

When a port is in manual mode, setting this DIP-switch to the UP position determines the port's Symmetrical Pause behavior.

When this DIP-switch is in the DOWN position, Pause capability is Disabled.

### SW13 and SW14

The module supports Link Segment and Asymmetrical Link Propagate.

SW12	SW13	Function
DOWN	DOWN	Link Segment (LS)
UP	DOWN	Asymmetrical Link Propagate (Uplink Port to PoE Port) Port 1 to Port 2 (1+1 - 2 Port models), Port 1 to Port 2 and Port 3 (1+2 - 3 Port models), Port 1 and Port 2 to Port 3 (2+1 - 3 Port models), Port 1 and Port 2 to Port 3 and Port 4 (2+2 - 4 Port models).
DOWN	UP	Asymmetrical Link Propagate (PoE Port to Uplink Port) Port 2 to Port 1 (1+1 - 2 Port models), Port 2 and Port 3 to Port 1 (1+2 - 3 Port models), Port 3 to Port 1 and Port 2 (2+1 - 3 Port models), Port 3 and Port 4 to Port 1 and Port 2 (2+2 - 4 Port models)
UP	UP	Invalid Configuration

### Link Segment

In Link Segment mode, all ports operate independently. A loss of a receive link signal will only affect the port detecting the loss of signal. All the other ports will continue to generate a link signal. A loss of link on the RJ-45 port will only affect the RJ-45 port, and the other ports will remain unaffected.

## Asymmetrical Link Propagate

In Asymmetrical Link Propagate mode, faults are propagated based on the port notation. Port 1 to Port 2 notation indicates the direction the loss of link signal will propagate. A loss of receive link on the uplink Port 1 causes the RJ-45 Port 2 to drop its link due to the propagated state (Port 1 to Port 2). The loss of link on the RJ-45 Port 2 does not cause the loss of link to propagate. The loss only propagates in the Port 1 to Port 2 direction.

**Note: A loss of link or loss of signal is when the uplink port or RJ-45 port can no longer detect the presence of a signal.**

**Note: On models with 2 uplink ports or 2 RJ-45 ports, both ports of the same media type must be in link fault condition before the fault will propagate.**

## SW15 and SW16

This DIP-switch allows the PoE power to be forced ON when connected to a PD with non-standard detection characteristics.

DIP-switch SW15 controls the forced capability for the first RJ-45 port on the module (Port 2 on the single fiber models and Port 3 on dual fiber models) and SW16 controls the forced capability for the second RJ-45 port on the module (Port 3 on the single fiber models and Port 4 on dual fiber models).

When these DIP-switches are in the Down “Normal” position, the port will automatically perform the detection, classification and powering functions for the attached PD. When these DIP-switches are in the Up “Forced” position, a maximum of 60 or up to 100 watts of power will be available to the PD. The maximum wattage depends on the model number of the module.

## 2) Installing the Module

Please contact Omnitron Systems for Conformal Coated products that can be deployed in humid environments.

## Wall Mounting

The wall mounting height of the module should be less than or equal to 2 meters (6.6 feet) from the floor. Use the four mounting holes on the module to secure the module to the wall. The module can accommodate #6 screws (not included).

Installation of the module should be such that the air flow in the front, back, side and top vents of the switch are not compromised or restricted.

The accessory cables should have their own strain relief and do not pull down on the module.

## Rack Mounting

The module can be rack mounted using the optional Rack Mount Shelf (8260-0). Refer to the [Rack Mount Shelf user manual \(040-08260-001x\)](#) for the proper installation guidelines.

Follow the same guidelines above when rack mounting the module.

## DIN-rail Mounting

The module can be DIN-rail mounted using the optional DIN-rail Mounting Bracket (8250-0) or the optional DIN-rail Mounting Clip (8251-0). Refer to the [user manuals \(040-08250-001x or 040-08251-001x\)](#) for the proper installation guidelines.

## 3) Apply Power

### AC Power

Secure the ground wire to the grounding screw located on the back of the module.

#### WARNING REGARDING EARTHING GROUND:

- It is recommended to connect the equipment to the AC power system earthing electrode conductor or to a bonding jumper from an earthing terminal bar or bus to which the AC power system earthing electrode is connected for surge protection and to eliminate damaging potentials from developing on the isolated chassis.
- There shall be no switching or disconnecting devices in the earthed circuit conductor between the AC source and the earthing electrode conductor.

To power the unit using the AC/DC adapter, route the barrel or DIN connector side of the power cord through the provided strain relief for additional support. Then connect the barrel or DIN connector at the end of the wire on the AC/DC adapter to the 2.1mm DC barrel connector (center-positive) on the unit. Connect the AC power cord on the AC/DC adapter to the AC outlet. Confirm that the module has powered up properly by checking the Power LED located on the front of the installed module.

Installation of the equipment should be such that the air flow in the front, back, side and top vents of the chassis are not compromised or restricted.

#### WARNING!!!

**NEVER ATTEMPT TO OPEN THE CHASSIS OR SERVICE THE POWER SUPPLY. OPENING THE CHASSIS MAY CAUSE SERIOUS INJURY OR DEATH. THERE ARE NO USER REPLACEABLE OR SERVICEABLE PARTS IN THIS UNIT.**

### DC Power

This module is intended for installation in restricted access areas. (“Les matériels sont destinés à être installés dans des EMBLEMES À ACCÈS RESTREINT”). A restricted access area can be accessed only through the use of a special key, or other means of security.

The over current protection for connection with centralized DC shall be provided in the building installation, and shall be a UL listed circuit breaker rated 20 Amps, and installed per the National Electrical Code, ANSI/NFPA-70.

Appropriate overloading protection should be provided on the DC power source outlets utilized.

The GPoEBT/S requires 52 to 57VDC @ 3.67 Amp max rated power (see specification table for specific model requirements).

**WARNING:** Only a DC power source that complies with safety extra low voltage (SELV) requirements can be connected to the DC-input power supply.

**WARNING REGARDING EARTHING GROUND:**

- This equipment shall be connected to the DC supply system earthing electrode conductor or to a bonding jumper from an earthing terminal bar or bus to which the DC supply system earthing electrode is connected.
- This equipment shall be located in the same immediate area (such as adjacent cabinets) as any other equipment that has a connection between the earthed conductor of the same DC supply circuit and the earthing conductor, and also the point of earthing of the DC system. The DC system shall not be earthed elsewhere.
- The DC supply source is to be located within the same premises as this equipment.
- There shall be no switching or disconnecting devices in the earthed circuit conductor between the DC source and the earthing electrode conductor.

Locate the DC circuit breaker of the external power source, and switch the circuit breaker to the OFF position.

Prepare a power cable using a three conductor insulated wire (not supplied) with 12AWG to 14AWG thickness. Cut the power cable to the length required.

Strip approximately 3/8 of an inch of insulation from the power cable wires.

Connect the ground wire to the grounding screws on the back of the module.

Route the power cables through the provided strain relief for additional support. Connect the power cables to the module by fastening the stripped ends to the DC power connector.

**WARNING:** Note the wire colors used in making the positive, negative and ground connections. Use the same color assignment for the connection at the circuit breaker.

Connect the power wires to the circuit breaker and switch the circuit breaker ON. If any module are installed, the Power LED will indicate the presence of power.

During the installation, ensure that the ground potentials are maintained throughout the system connections. This includes but not limited to the power source ground and any shielded cabling grounds.

Installation of the equipment should be such that the air flow in the front, back, side and top vents of the chassis are not compromised or restricted.

**WARNING!!!**  
**NEVER ATTEMPT TO OPEN THE CHASSIS OR SERVICE THE POWER SUPPLY. OPENING THE CHASSIS MAY CAUSE SERIOUS INJURY OR DEATH. THERE ARE NO USER REPLACEABLE OR SERVICEABLE PARTS IN THIS UNIT.**

**4) Connect Cables**

- a. Insert the SFP Fiber transceiver into the SFP receptacle on the front of the module (see the SFP Data Sheet 091-17000-001 for supported Fast Ethernet transceivers).

**NOTE: The release latch of the SFP Fiber transceiver must be in the closed (up) position before insertion.**

- b. Connect an appropriate multimode or single-mode fiber cable to the fiber port on the front of the module. It is important to ensure that the transmit (TX) is attached to the receive side of the device at the other end and the receive (RX) is attached to the transmit side. When using single-fiber (SF) models, the TX wavelength must match the RX wavelength at the other end and the RX wavelength must match the TX wavelength at the other end.
- c. Connect the RJ-45 uplink port via an Ethernet Category 5 cable or better to an external 10/100/1000 Ethernet device.
- d. Connect the 10/100/1000 PoE RJ-45 port via an Ethernet Category 5 cable or better to an external 10/100/1000 PoE/PoE+ powered device. Non-PoE devices can be connected to the RJ-45 port.

Description	15W IEEE 802.3af PoE	30W IEEE 802.3at PoE+	60W IEEE 802.3bt PoE (Type 3)	100W IEEE 802.3bt PoE (Type 4)
Power Supply Voltage Range	46.0 to 57.0 VDC	51.0 to 57.0 VDC	51.0 to 57.0 VDC	53.0 to 57.0 VDC
Voltage Range at PSE port Output	44.0 to 56.0 VDC	50.0 to 56.0 VDC	50.0 to 56.0 VDC	52.0 to 56.0 VDC
Max Power from PoE/PSE port	15.4 watts	30 watts	60 watts	100 watts
Min Voltage at PoE/PD port input*	37.0 VDC	42.5 VDC	42.5 VDC	41.1 VDC
Min Power at PoE/PD port*	12.95 watts	25.5 watts	51 watts	71 watts
* at 100 meters using Cat5				

## 5) Verify Operation

Verify the module is operational by viewing the LED indicators.

Power LED Indicators		
Legend	Indicator	Description
Pwr	OFF	Module not powered
	Green - ON	Module powered

Fixed Fiber Uplink Port LED Indicators		
Legend	Indicator	Description
1000	OFF	Port not linked at 1000Mbps
	Green - ON	Port linked at 1000Mbps Full Duplex
	Green - Blinking at 10Hz	Port is transmitting or receiving frames at full duplex
	Green - Blinking at 1Hz	Port linked at 1000Mbps and in redundant standby mode
	Amber - ON	Port linked at 1000Mbps Half Duplex
	Amber - Blinking at 10Hz	Port is transmitting or receiving frames at half duplex
	Amber - Blinking at 1Hz	Port is not linked and receiving signal

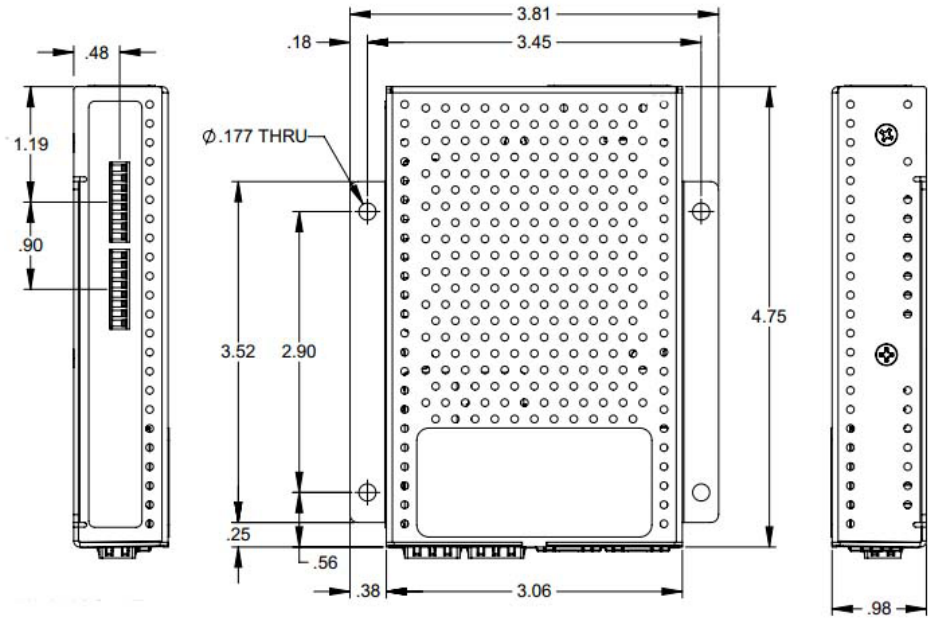
SFP or RJ-45 Uplink Port Indicators		
Legend	Indicator	Description
10 (Both 100 + 1000 LEDs)	OFF	Port not linked at 10Mbps
	Green - ON	Port linked at 10Mbps Full Duplex
	Green - Blinking at 10Hz	Port is transmitting or receiving frames at full duplex
	Green - Blinking at 1Hz	Port linked at 10Mbps and in redundant standby mode
	Amber - ON	Port is linked at half duplex
	Amber - Blinking at 10Hz	Port is transmitting or receiving frames at half duplex
	Amber - Blinking at 1Hz	Port not linked and receiving signal
100	OFF	Port not linked at 100Mbps
	Green - ON	Port linked at 100Mbps Full Duplex
	Green - Blinking at 10Hz	Port is transmitting or receiving frames at full duplex
	Green - Blinking at 1Hz	Port linked at 100Mbps and in redundant standby mode
	Amber - ON	Port is linked at half duplex
	Amber - Blinking at 10Hz	Port is transmitting or receiving frames at half duplex
1000	OFF	Port not linked at 1000Mbps
	Green - ON	Port linked at 1000Mbps Full Duplex
	Green - Blinking at 10Hz	Port is transmitting or receiving frames at full duplex
	Green - Blinking at 1Hz	Port linked at 1000Mbps and in redundant standby mode
	Amber - ON	Port is linked at half duplex
	Amber - Blinking at 10Hz	Port is transmitting or receiving frames at half duplex
	Amber - Blinking at 1Hz	Port not linked and receiving signal

For 10M operation, both the 100 and 1000 LEDs must be ON.

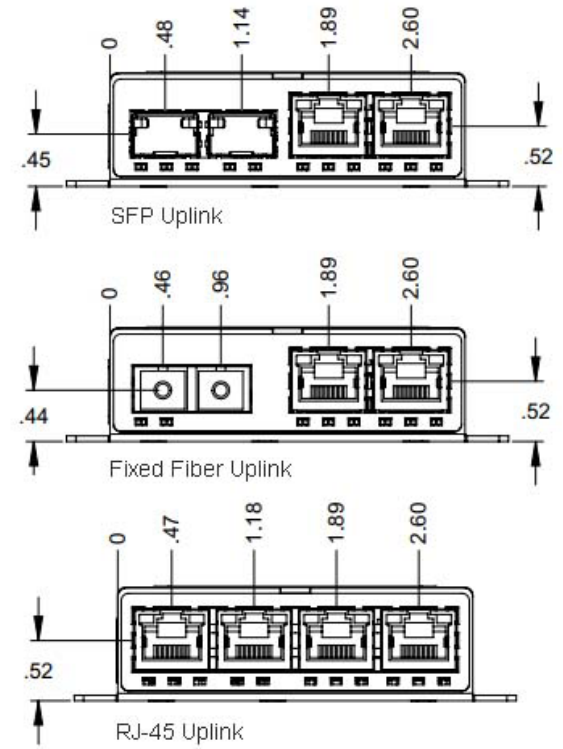
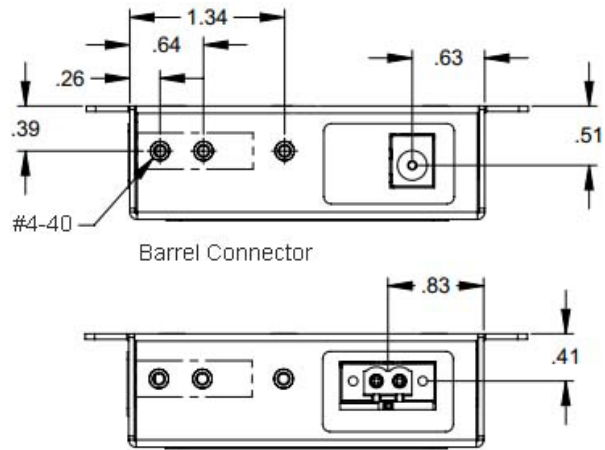
PoE RJ-45 Port Indicators		
Legend	Indicator	Description
10 (Both 100 + 1000 LEDs)	OFF	Port not linked at 10Mbps
	Green - ON	Port linked at 10Mbps Full Duplex
	Green - Blinking at 10Hz	Port is transmitting or receiving frames at full duplex
	Amber - ON	Port is linked at half duplex
	Amber - Blinking at 10Hz	Port is transmitting or receiving frames at half duplex
100	OFF	Port not linked at 100Mbps
	Green - ON	Port linked at 100Mbps Full Duplex
	Green - Blinking at 10Hz	Port is transmitting or receiving frames at full duplex
	Amber - ON	Port is linked at half duplex
1000	OFF	Port not linked at 1000Mbps
	Green - ON	Port linked at 100Mbps Full Duplex
	Green - Blinking at 10Hz	Port is transmitting or receiving frames at full duplex
	Amber - ON	Port is linked at half duplex
	Amber - Blinking at 10Hz	Port is transmitting or receiving frames at half duplex
PSE	OFF	Port PSE disabled
	Green - ON	Port PSE is active
	Green - Single Blink	Powered by 802.3af PoE (4 - 15W), class 0 - 3
	Green - two blinks	Powered by 802.3at PoE (30W), class 4
	Amber - ON	Failed PoE negotiation
	Amber - Blinking at 1Hz	Cannot provide requested current

For 10M operation, both the 100 and 1000 LEDs must be ON.

**MECHANICAL**



Ventilation holes may vary



## SPECIFICATIONS

<b>Standard Compliances</b>	IEEE 802.3, IEEE 802.3af (15.40 watts max), IEEE 802.3at (30 watts max), IEEE 802.3bt (60 and 100 watts max)	
<b>Environmental</b>	RoHS, WEEE and REACH	
<b>PoE Power Modes</b>	IEEE Alternative A (Alt A) and 4 Pair	
<b>Frame Size</b>	Up to 10,240 bytes	
<b>Port Types</b>	Copper: 10/100/1000BASE-T (RJ-45) Fiber: 100BASE-X (SFP) 1000BASE-X (ST, LC, SC, SFP)	
<b>Cable Types</b>	Copper: EIA/TIA 568A/B, Cat 5 UTP and higher Fiber: Multimode: 50/125, 62.5/125µm, Single-mode: 9/125µm	
<b>AC Power Requirements (with AC/DC Adapters)</b>	60W Model - 1 RJ-45 Port 100 - 240VAC/50 - 60Hz, 0.61A @ 120VAC (typical)	100W Model - 1 RJ-45 Port 100 - 240VAC/50 - 60Hz, 0.99A @ 120VAC (typical)
	60W Model - 2 RJ-45 Ports 100 - 240VAC/50 - 60Hz, 1.18A @ 120VAC (typical)	100W Model - 2 RJ-45 Ports 100 - 240VAC/50 - 60Hz, 1.94A @ 120VAC (typical)
<b>DC Power Requirements (Models with DC Terminals)</b>	60W Model - 1 RJ-45 Port +/-46 to +/-57VDC, 1.15A @ 56VDC 2 Pin Terminal (isolated)	100W Model - 1 RJ-45 Port +/-46 to +/-57VDC, 1.88A @ 56VDC 2 Pin Terminal (isolated)
	60W Model - 2 RJ-45 Ports +/-46 to +/-57VDC, 2.23A @ 56VDC 2 Pin Terminal (isolated)	100W Model - 2 RJ-45 Ports +/-46 to +/-57VDC, 3.67A @ 56VDC 2 Pin Terminal (isolated)
<b>Dimensions (W x D x H)</b>	3.8" x 4.8" x 1.0" (96.5 mm x 121.9 mm x 25.4 mm)	
<b>Weight</b>	Module Only: 1.0 lbs.; 453.6 grams Module w/ Adapter: 1.8 lbs.; 816.4grams	
<b>Operating Temperature (See Temperature Derating Table)</b>	Commercial: 0 to 50°C Wide: -40 to 60°C (-20°C AC cold start) Extended: -40 to 75°C (-20°C AC cold start) Storage: -40 to 80°C	
<b>Humidity</b>	5 to 95% (non-condensing)	
<b>Altitude</b>	-100m to 4,000m	
<b>MTBF (hrs)</b>	Module: 584,000 AC/DC Adapter: 100,000	
<b>Warranty</b>	Lifetime warranty with 24/7/365 free Technical Support	

### AC/DC Adapter Temperature Derating Total Available Wattage to RJ-45 Ports

Model	RJ-45 Ports	Watts Required	Watts Available @40°C	Watts Available @50°C	Watts Available @60°C	Watts Available @70°C	Watts Available @75°C
GPoEBT/S 60 watts	1	60 watts	Full Power	Full Power	Full Power	Full Power	50 watts
	2	120 watts	Full Power	Full Power	Full Power	60 watts	50 watts
GPoEBT/S 100 watts	1	100 watts	Full Power	Full Power	No AC Model Available		
	2	200 watts	No AC Model Available				

<b>Regulatory Compliances (Pending)</b>	<b>Safety:</b>	UL 62368-1, UL 60950-1, IEC 62368-1, IEC 60950-1, CAN/CSA C22.2 No. 60950-1, EN 60950-1:2006 CE Mark, UKCA
	<b>EMI:</b>	FCC 47CFR, Part 15 Class A AS/NZS 3548, AS/NZS 4417.1 and AS/NZS 4417.2 ICES-003 Issue 3 EN 55032/CISPR 22 and EN55035 EN61000-3-2 VCCI V3/2001.04 (CISPR 22A:1997, Class A)
	<b>EMS:</b>	IEC/EN61000-4-2 IEC/EN61000-4-3; IEC/EN61000-4-4; IEC/EN61000-4-5; IEC/EN61000-4-6; IEC/EN61000-4-8; IEC/EN61000-4-11 IEC/EN61000-4-12 IEC/EN 61000-6-2 IEC/EN61000-6-4 IEC 60068-2-27 IEC 60068-2-6
	<b>IP Rating:</b> <b>ACT:</b>	IP30D Protection TAA, BAA, NDA

## Customer Support Information

If you encounter problems while installing this product, contact Omnitron Technical Support:

Phone: (949) 250-6510

Fax: (949) 250-6514

Address: Omnitron Systems Technology, Inc.

38 Tesla

Irvine, CA 92618, USA

Email: support@omnitron-systems.com

URL: www.omnitron-systems.com