

### FlexPoint® 10/100

#### Industrial 10/100 Copper to Fast Ethernet Fiber Media Converter

The FlexPoint 10/100 is an industrial 10BASE-T or 100BASE-TX copper to 100BASE-X fiber media converter that provides reliable and cost-effective network connectivity and fiber extension.

The FlexPoint 10/100 features a 10/100 auto-sensing RJ-45 port that adjusts to the highest level of performance supported by the attached device. An override switch provides manual control over the 10/100 operation of the RJ-45 port and the Half/Full-Duplex operation of both the fiber and RJ-45 ports.

When configured for auto-negotiation, the RJ-45 port automatically detects and sets MDI/MDI-X crossover. When configured for manual operation, the FlexPoint 10/100 features a manual switch to provide the MDI/MDI-X crossover.

The fiber port supports fixed-fiber connectors (SC, ST or LC) and Small Form Pluggable (SFP) transceivers, enabling easy adaptability to different fiber types, distances and wavelengths. The FlexPoint 10/100 supports multimode, single-mode, single-mode single-fiber, in standard and CWDM wavelengths.

Manual switch settings and LED indicators with on-the-label descriptions enable easy configuration to legacy devices or specific network requirements. The LEDs report the availability of power, port activity and link status, speed and duplex modes.

FlexPoint modules can be mounted utilizing optional wall-mounting hardware or with DIN-rail mounting brackets. They can also be rack-mounted in a 5-Module shelf.

FlexPoint modules installed in the 5-Module shelf or used as standalone devices can be powered by an external AC to DC power adapter, 2-pin DC terminal connector or through the 5VDC chassis connector.

The wide variety of FlexPoint mounting and power options provide flexible upgrade paths as network requirements change and grow.

FlexPoint unmanaged media converters are easy to use and provide dependable fiber connectivity in Enterprise and Government networks around the world.



SFPs not included

### KEY FEATURES

- Industrial 10BASE-T or 100BASE-TX copper to 100BASE-X fiber media converter
- Extended operating temperature range of -40° to +75°C
- The RJ-45 port supports auto or manual negotiation
- Extends network distances up to 120km
- Supports 100BASE-FX fixed-fiber (SC, ST or LC) and 100BASE-FX SFP transceivers
- Labeled status LEDs and switches for quick and easy installation
- Auto MDI/MDI-X crossover
- Available in AC and DC models
- Wall-mount or rack-mount on a 5-Module shelf
- Completely software independent with no installation of drivers required
- TAA, BAA and NDAA compliant, and Made in the USA
- Peace-of-mind reliability backed by a lifetime warranty and free 24/7 technical support

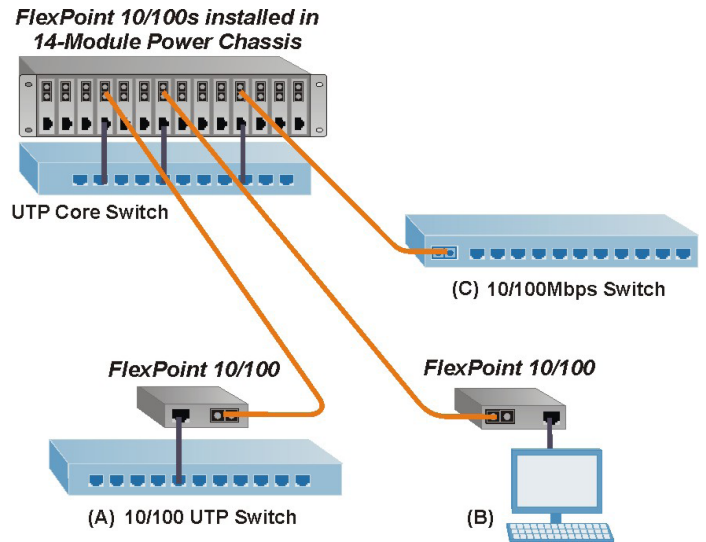
# SPECIFICATIONS

<b>Description</b>	<b>FlexPoint 10/100</b> 10/100BASE-T Copper to 100BASE-X Fiber Media Converter		
<b>Standard Compliances</b>	IEEE 802.3		
<b>Regulatory Compliances</b>	Safety:	UL, cUL, CE, UKCA	
	EMI:	FCC Class A	
	ACT:	TAA, BAA, NDAA	
<b>Environmental</b>	RoHS, WEEE, REACH		
<b>Frame Size</b>	Up to 1536 bytes		
<b>Port Types</b>	Copper:	10/100BASE-T (RJ-45)	
	Fiber:	100BASE-X (ST, SC, LC, SFP) 100BASE-BX (SC, SFP) Single-fiber	
<b>Cable Types</b>	Copper:	EIA/TIA 568A/B, Cat 5 UTP and higher	
	Fiber:	Multimode: 50/125µm, 62.5/125µm Single-mode: 9/125µm	
<b>AC Power Requirements</b>	AC Adapter (-1):	100 - 120VAC/60Hz 0.06A @ 120VAC (typical)	
	AC Adapter (-2):	100 - 240VAC/50 - 60Hz 0.06A @ 120VAC (typical)	
<b>DC Power Requirements</b>	Terminal or Barrel Connector	Molex Connector	
	Voltage Range:	4.75 to 5.25VDC	
	Nominal Voltage:	5VDC	
	Nominal Power:	0.8A @ 5VDC	
	Maximum Power:	1A @ 5VDC	
<b>Dimensions W x D x H</b>	3.0" x 4.0" x 1.0" (76.2 mm x 101.6 mm x 25.4 mm)		
<b>Weight</b>	Without AC Adapter:	6 oz. (170.1 grams)	
<b>Temperature</b>	Extended:	-40 to 75°C	
	Storage:	-40 to 80°C	
<b>Humidity</b>	5 to 95% (non-condensing)		
<b>Altitude</b>	-100m to 4,000m		
<b>MTBF (hrs)</b>	Without AC Adapter (-0, -9):	1,100,000	
	With AC Adapter (-1):	100,000	
	With AC Adapter (-2):	100,000	
<b>Warranty</b>	Lifetime warranty with 24/7/365 free Technical Support		



# APPLICATION EXAMPLE

In this enterprise campus application example, FlexPoint 10/100 media converters are installed in a 14-Module Redundant Power chassis for high-density fiber distribution from UTP switch equipment at the Network Core. A UTP workgroup switch (A) is connected via fiber with a industrial temperature standalone FlexPoint 10/100 media converter. Another industrial temperature FlexPoint 10/100 converts the fiber to copper in a fiber-to-desktop application (B). An Ethernet switch (C) is connected directly via fiber to the FlexPoint module at the Network Core. In all cases, multimode or single-mode fiber can be used, and fiber links can be extended up to 120km using single-mode fiber.



# ORDERING INFORMATION

## Step 1: Choose a Base Part Number (xxxx-pZ)

Fiber Type	Distance	Connector Type				Tx / Rx Lambda (nm)	Min. Tx Power (dBm)	Max. Tx Power (dBm)	Min. Rx Power (dBm)	Max. Rx Power (dBm)	Min. Attenuation (dB)	Link Budget (dB)
		ST	SC	LC	SFP							
-	-	-	-	-	4359-pZ	-	-	-	-	-	-	-
MM/DF	5km	4342-pZ	4340-pZ	4355-1pZ	-	1310 / 1310	-24	-14	-31	-14	-	7
SM/DF	30km	4343-pZ	4341-pZ	4355-2pZ	-	1310 / 1310	-15	-8	-31	-8	-	16
SM/DF	60km	4345-pZ	4344-pZ	4355-3pZ	-	1310 / 1310	-5	0	-31	-3	3	26
SM/DF	120km	-	4349-pZ	4355-4pZ	-	1550 / 1550	-5	0	-31	-3	3	26
SM/SF <sup>1</sup>	20km	-	4357-1pZ	-	-	1310 / 1550	-15	-5	-30	-3	-	15
SM/SF <sup>1</sup>	20km	-	4357-2pZ	-	-	1550 / 1310	-15	-5	-30	-3	-	15

<sup>1</sup> When using single-fiber (SF) media converter models, the Tx wavelength on one end has to match the Rx wavelength on the other.

MM = Multimode, SM = Single-mode, DF = Dual Fiber, SF = Single-fiber

Contact Omnitron for other fiber options, operational temperature ranges and RoHS (5/6) compliant models.

Order the appropriate SFPs separately. [Visit the Omnitron Optical Transceivers web page.](#)

## Step 2: Choose a Power Option (xxxx-pZ)

-0 = Barrel Connector, No AC/DC Power Adapter
-1 = Barrel Connector and US AC/DC Power Adapter, 100-240 VAC, 50-60Hz
-2 = Barrel Connector and Universal AC/DC Power Adapter, 100-240VAC, 50-60Hz (requires AC power cord)
-9 = 2 Pin DC Terminal Connector (non-isolated), 5-32VDC, No AC/DC Power Adapter

## Operating Temperature

Z = Extended temperature (-40 to 75°C)
--



-1 = Barrel Connector and US AC/DC Power Adapter, 100-240 VAC, 50-60Hz



-2 = Barrel Connector and Universal AC/DC Power Adapter, 100-240VAC, 50-60Hz (requires AC power cord)

# ACCESSORIES

Model Number	Description	Model Number	Description
4380	Wall-Mounting Hardware Kit for Modules	4381	Wall-Mounting Hardware Kit for DC to DC Power Adapter
4384	DC to DC Power Adapter	4384-W	DC to DC Power Adapter, Wide Temperature (-40 to 60°C)
4385	14-Module Chassis with two 48VDC Power Supplies	4386	14-Module Chassis with one 48VDC Power Supply
4389	Spare 48VDC Power Supply	4392	5-Module Rack-Mount Shelf
4395	14-Module Chassis with two AC Power Supplies	4396	14-Module Chassis with one AC Power Supply
4399	Spare AC Power Supply	8250	DIN-Rail Mounting Kit

14-Module chassis and power supplies are not rated for extended temperature range.

See all FlexPoint accessories on [FlexPoint Chassis and Mounting Options product page](#)

© 2024 Omnitron Systems Technology, Inc. All rights reserved. FlexPoint is a registered trademark of Omnitron Systems Technology, Inc. Trademarks are owned by their respective companies. Specifications are subject to change without notice.

