

### FlexPoint® Gx Gigabit Ethernet Copper to Fiber Media Converter

The FlexPoint Gx is a 1000BASE-T copper to 1000BASE-X fiber media converter that provides reliable and cost-effective network connectivity and fiber extension.

The FlexPoint Gx auto-negotiates with compatible network devices for quick installations. Manual switch settings and LED indicators with on-the-label descriptions enable easy configuration with legacy network requirements.

The FlexPoint Gx features an auto-sensing RJ-45 port that adjusts to the duplex and pause mode of the attached device. A switch provides manual control over the Half/Full-Duplex operation of RJ-45 port. The port features a crossover switch that facilitates connection to a workstation or switch.

Network flow control is supported via an auto-selected or user-selected Pause function that assists in management of network congestion.

The fiber port operates at 850nm, 1310nm or 1550nm and supports ST, SC, MT-RJ or LC connectors. Multimode models support distances of up to 550m and the single-mode models support distances of up to 140km.

User-selectable link modes are available to facilitate the detection of link faults. Faults can be propagated to managed devices or isolated to a per segment basis.

Diagnostic data is provided through LED indicators that assist in network installation and maintenance. The LEDs report the availability of power, port activity and link status and duplex mode.

FlexPoint modules can be mounted utilizing optional wall-mounting hardware or with DIN-rail mounting brackets. They can also be rack-mounted in a 5-Module shelf or in a high-density 14-Module, power-redundant Powered Chassis.

FlexPoint modules installed in the 5-Module shelf or used as standalone devices can be powered by an external AC to DC power adapter, or through the 5VDC chassis connector. Standalone modules can also be powered by attaching an external DC power supply (18-60VDC). When used in the 14-Module power-redundant Powered Chassis with any combination of AC and DC power supplies, the installed modules are powered via the 5VDC chassis connector.

The wide variety of FlexPoint mounting and power options provide flexible upgrade paths as network requirements change and grow.

FlexPoint unmanaged media converters are easy to use and provide dependable fiber connectivity in Enterprise and Government networks around the world.



### KEY FEATURES

- 1000BASE-T copper to 1000BASE-X fiber media converter
- Fiber port supports auto or manual negotiation
- Fixed fiber port supports multimode and single-mode dual fiber with ST, SC, MT-RJ and LC connectors
- Extends network distances up to 140km
- RJ-45 port supports Full and Half-Duplex operation and auto MDI/MDI-X crossover
- User-selectable or Auto-sensing Pause flow control
- Supports most network interfaces with a wide variety of cable and connector types
- User-selectable Link Modes for quick fault detection
- Automatic Link Recovery
- Labeled status LEDs and switches for quick and easy installation
- Wall-mount or rack-mount on a 5-Module shelf or in a 14-Module power-redundant FlexPoint Powered Chassis
- Commercial (0 to +50°C) and wide (-40° to +60°C) temperature ranges
- Plug and play installation with no software drivers
- TAA, BAA and NDAA compliant, and Made in the USA
- Peace-of-mind reliability backed by a lifetime warranty and free 24/7 technical support

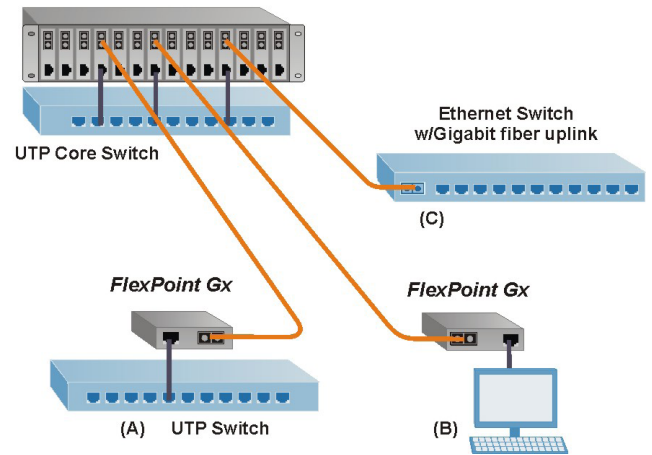
# SPECIFICATIONS

<b>Description</b>	<b>FlexPoint Gx</b> 1000BASE-T Copper to 1000BASE-X Fiber Media Converter		
<b>Standard Compliances</b>	IEEE 802.3		
<b>Regulatory Compliances</b>	Safety:	UL, cUL, CE, UKCA	
	EMI:	FCC Class A	
	ACT:	TAA, BAA, NDAA	
<b>Environmental</b>	RoHS, WEEE, REACH		
<b>Frame Size</b>	Supports frame sizes up to 10K bytes		
<b>Port Types</b>	Copper:	1000BASE-T (RJ-45)	
	Fiber:	1000BASE-X (ST, SC, LC, MT-RJ)	
<b>Cable Types</b>	Copper:	EIA/TIA 568A/B, Cat 5 UTP and higher	
	Fiber:	Multimode: 50/125µm, 62.5/125µm Single-mode: 9/125µm	
<b>AC Power Requirements</b>	AC Adapter:	100 - 240VAC/50 - 60Hz 0.04A @ 120VAC (typical)	
<b>DC Power Requirements</b>	Voltage Range:	Barrel Connector	Molex Connector
	Nominal Voltage:	6.0 to 15VDC	4.75 to 5.25VDC
	Nominal Power:	9VDC	5VDC
		0.4A @ 9VDC	0.6A @ 5VDC
<b>Dimensions W x D x H</b>	3.0" x 4.0" x 1.0" (76.2 mm x 101.6 mm x 25.4 mm)		
<b>Weight</b>	Without AC Adapter:	6 oz. (170.1 grams)	
<b>Temperature</b>	Commercial:	0 to 50°C	
	Wide::	-40 to 60°C	
	Storage:	-40 to 80°C	
<b>Humidity</b>	5 to 95% (non-condensing)		
<b>Altitude</b>	-100m to 4,000m		
<b>MTBF (hrs)</b>	Without AC Adapter (-0):	990,000	
	With AC Adapter (-1):	250,000	
	With AC Adapter (-2):	100,000	
<b>Warranty</b>	Lifetime warranty with 24/7/365 free Technical Support		

# APPLICATION EXAMPLE

In this enterprise campus application example, FlexPoint Gx media converters are installed in a 14-Module Redundant Power chassis for high-density fiber distribution from UTP switch equipment at the Network Core. A UTP workgroup switch (A) is connected via fiber with a standalone FlexPoint Gx media converter. Another FlexPoint Gx converts the fiber to copper in a fiber-to-desktop application (B). An Ethernet switch (C) is connected directly via fiber to the FlexPoint module at the Network Core. In all cases, multimode or single-mode fiber can be used, and fiber links can be extended up to 80km using single-mode fiber.

**FlexPoint Gx modules installed in 14-Module Power Chassis**



# ORDERING INFORMATION

## Step 1: Choose a Base Part Number (xxxx-pt)

Fiber Type	Distance	Connector Type				Tx / Rx Lambda (nm)	Min. Tx Power (dBm)	Max. Tx Power (dBm)	Min. Rx Power (dBm)	Max. Rx Power (dBm)	Min. Attenuation (dB)	Link Budget (dB)
		ST	SC	MT-RJ	LC							
MM/DF	220 / 550m <sup>1</sup>	4376-pt	4370-pt	4670-pt	4672-pt	850 / 850	-10	-4	-17	-3	-	7
SM/DF	12km	4377-pt	4371-pt	4671-pt	4673-pt	1310 / 1310	-9.5	-3	-19.5	-3	-	10
SM/DF	34km	-	4372-pt	-	4674-pt	1310 / 1310	-5	0	-23	-3	3	18
SM/DF	80km	-	4373-pt	-	4675-pt	1550 / 1550	-5	0	-23	-3	3	18
SM/DF	110km	-	4374-pt	-	4676-pt	1550 / 1550	0	5	-24	-3	8	24
SM/DF	140km	-	4375-pt	-	4677-pt	1550 / 1550	2	5	-28	-8	13	30

<sup>1</sup> 62.5/125µm (OM1) multimode fiber up to 220m. 50/125µm (OM2) multimode fiber up to 550m.

MM = Multimode, SM = Single-mode, DF = Dual Fiber

Contact Omnitron for other fiber options, operational temperature ranges and RoHS (5/6) compliant models.

## Step 2: Choose a Power Option (xxxx-pt)

-0 = Barrel Connector, No AC/DC Power Adapter
-1 = Barrel Connector and US AC/DC Power Adapter, 100-240 VAC, 50-60Hz
-2 = Barrel Connector and Universal AC/DC Power Adapter, 100-240VAC, 50-60Hz (requires AC power cord)

## Step 3: Choose an Operating Temperature Range (xxxx-pt)

<leave blank> = Commercial temperature (0 to 50°C)
W = Wide temperature (-40 to 60°C)



-1 = Barrel Connector and US AC/DC Power Adapter, 100-240 VAC, 50-60Hz



-2 = Barrel Connector and Universal AC/DC Power Adapter, 100-240VAC, 50-60Hz (requires AC power cord)

# ACCESSORIES

Model Number	Description	Model Number	Description
4380	Wall-Mounting Hardware Kit for Modules	4381	Wall-Mounting Hardware Kit for DC to DC Power Adapter
4384	DC to DC Power Adapter	4384-W	DC to DC Power Adapter, Wide Temperature (-40 to 60°C)
4385	14-Module Chassis with two 48VDC Power Supplies	4386	14-Module Chassis with one 48VDC Power Supply
4389	Spare 48VDC Power Supply	4392	5-Module Rack-Mount Shelf
4395	14-Module Chassis with two AC Power Supplies	4396	14-Module Chassis with one AC Power Supply
4399	Spare AC Power Supply	8250	DIN-Rail Mounting Kit

See all FlexPoint accessories on [FlexPoint Chassis and Mounting Options product page](#)

© 2025 Omnitron Systems Technology, Inc. All rights reserved. FlexPoint is a registered trademark of Omnitron Systems Technology, Inc. Trademarks are owned by their respective companies. Specifications are subject to change without notice.

