

FlexPoint™ and *iConverter*®  
Fiber Media Converter  
Product Family

FlexPoint 10FL/2 and *iConverter* 10FL/2  
Discontinued and Replacement Model

Document Number: 002-A0012  
Version A  
March 2023

Omnitron Systems Technology, Inc.  
38 Tesla  
Irvine, CA 92618  
tel: (949) 250-6510  
[www.omnitron-systems.com](http://www.omnitron-systems.com)

## 1.0 SCOPE

This application note describes the alternate replacement bundled solution to the discontinued iConverter 10FL/2 and FlexPoint 10FL/2 models.

## 2.0 AFFECTED MODELS

The following table lists the model numbers of the discontinued and the replacement models.

| Product Family | Product Name          | Discontinued Models | Replacement Models    |
|----------------|-----------------------|---------------------|-----------------------|
| FlexPoint      | 10FL/2 MM/DF 2km ST   | 4310                | 4300 and 4320         |
|                | 10FL/2 MM/DF 5km ST   | 4312                | 4302 and 4320         |
|                | 10FL/2 SM/DF 30km ST  | 4311                | 4301 and 4320         |
| Product Family | Product Name          | Discontinued Models | Replacement Models    |
| iConverter     | 10FL/2 MM/DF 2km ST   | N/A                 | 8300-0, 8340 and 8230 |
|                | 10FL/2 MM/DF 2km SC   | N/A                 | 8302-0, 8340 and 8230 |
|                | 10FL/2 MM/DF 5km ST   | N/A                 | 8300-1, 8340 and 8230 |
|                | 10FL/2 SM/DF 30km ST  | N/A                 | 8301-1, 8340 and 8230 |
|                | 10FL/2 SM/DF 30km SC  | N/A                 | 8303-1, 8340 and 8230 |
|                | 10FL/2 SM/DF 30km LC  | N/A                 | 8307-1, 8340 and 8230 |
|                | 10FL/2 SM/DF 60km ST  | N/A                 | 8301-2, 8340 and 8230 |
|                | 10FL/2 SM/DF 60km SC  | N/A                 | 8303-2, 8340 and 8230 |
|                | 10FL/2 SM/DF 60km LC  | N/A                 | 8307-1, 8340 and 8230 |
|                | 10FL/2 SM/DF 120km SC | N/A                 | 8303-3, 8340 and 8230 |
|                | 10FL/2 SM/SF 20km SC  | N/A                 | 8310-1, 8340 and 8230 |
|                | 10FL/2 SM/SF 20km SC  | N/A                 | 8311-1, 8340 and 8230 |
|                | 10FL/2 SM/SF 40km SC  | N/A                 | 8310-2, 8340 and 8230 |
|                | 10FL/2 SM/SF 40km SC  | N/A                 | 8311-2, 8340 and 8230 |

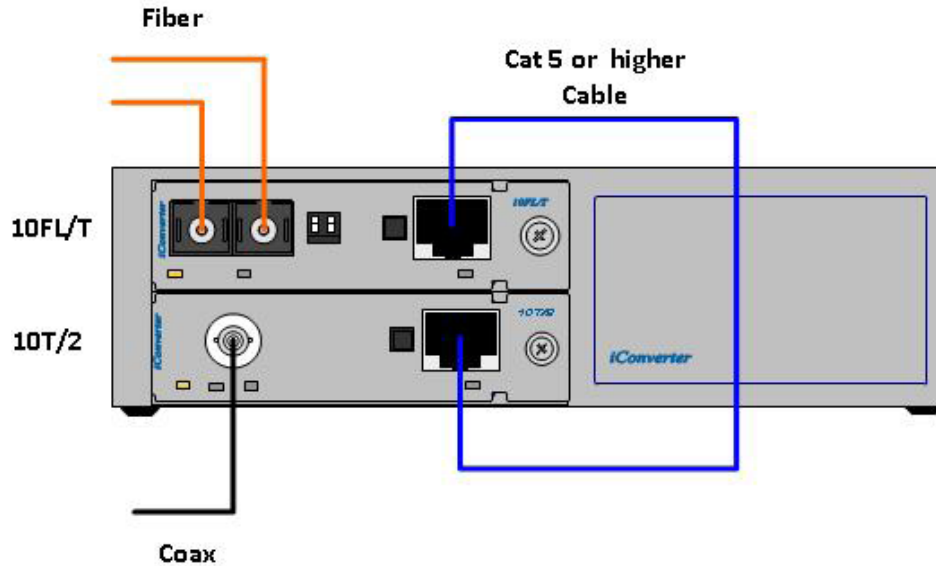
MM = Multimode, SM = Single-mode, DF = Dual Fiber, SF = Single-Fiber

### *Model Number Comparison*

### 3.0 BUNDLED SOLUTIONS

#### 3.1 iConverter Bundle Solution

The bundled solution consists of the iConverter 10FL/T, 10T/2 and 2-Module Chassis (8230). The module will have external connections for the fiber, coax and Cat 5 cabling.



*iConverter 10FL/2 Solution*

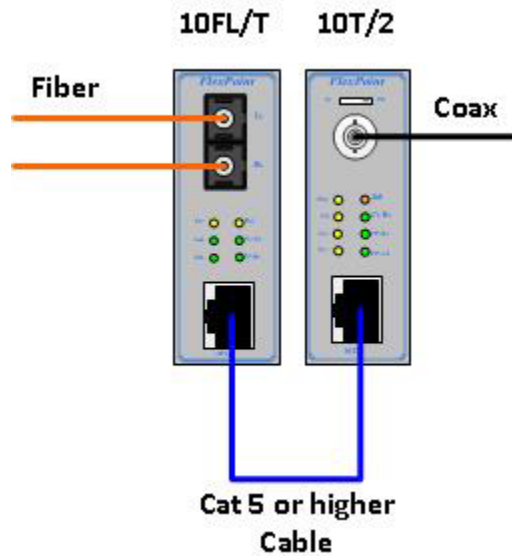
This bundled solution can also be installed in a 19-Module and 5-Module chassis.

For a managed solution, the modules can be installed in a 19 or 5-Module chassis with a [Network Management Module \(NNM2\)](#).

The 2-Module chassis can be wall/rack mounted by attaching the optional wall/rack mount brackets (8249-0). A 19" Rack Mount Shelf (8260-0) is available to install three 2-Module chassis. Refer to the [User Manual for the 2-Module Chassis](#) for more information.

### 3.2 FlexPoint Bundled Solution

The FlexPoint replacement requires the 10FL/T and 10T/2 modules to be mounted next to each other. This solution requires a Cat 5 or higher cable to be connected to the RJ-45 ports on the modules, as well as a fiber and coax cables.



*FlexPoint 10FL/2 Solution*

The FlexPoint modules can be wall-mounted using a wall mounting kit (4380), rack-mounted using a 5-Module shelf (4392) or inserted in a 14-Module FlexPoint Powered Chassis. Refer to the appropriate [User Manual](#) for more information.